

C2012X7R1C475K125AE

TDK Item Description : C2012X7R1C475KT***S

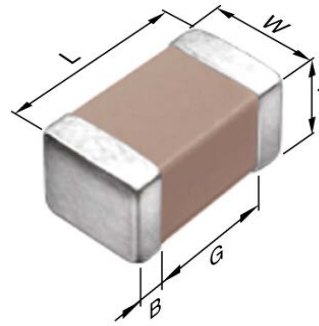


Application & Main Feature

Commercial Grade (Soft Termination)

Series

C2012 [EIA CC0805]



Dimensions

L	2.00mm +0.45,-0.2mm
W	1.25mm +0.25,-0.2mm
T	1.25mm +0.25,-0.2mm
B	0.20mm Min.
G	0.50mm Min.

Temperature Characteristic

X7R (-55 to 125 degC +/-15%)

Rated Voltage

1C (16Vdc)

Capacitance

4.7uF

Capacitance Tolerance

K (+/-10%)

Dissipation Factor

7.5% Max.

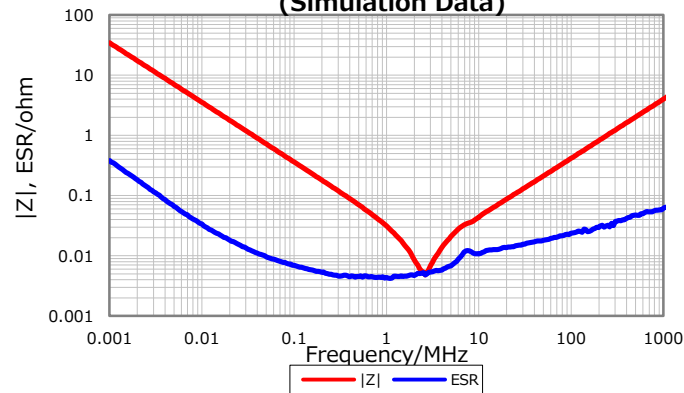
Insulation Resistance

21Mohm Min.

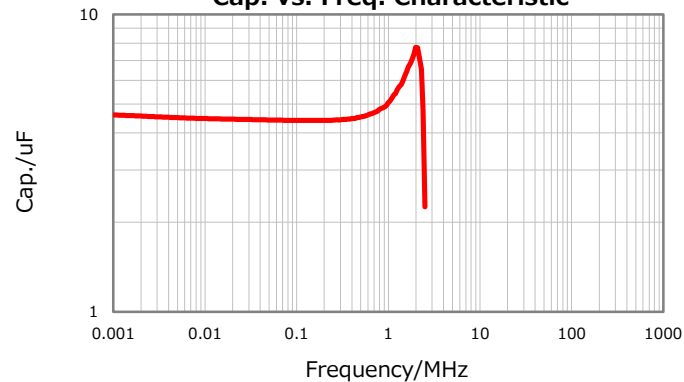
AEC-Q200

Not Applicable

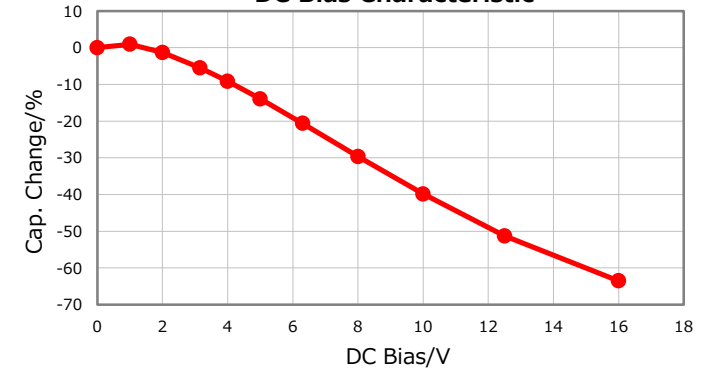
|Z|, ESR vs. Freq. Characteristics (Simulation Data)



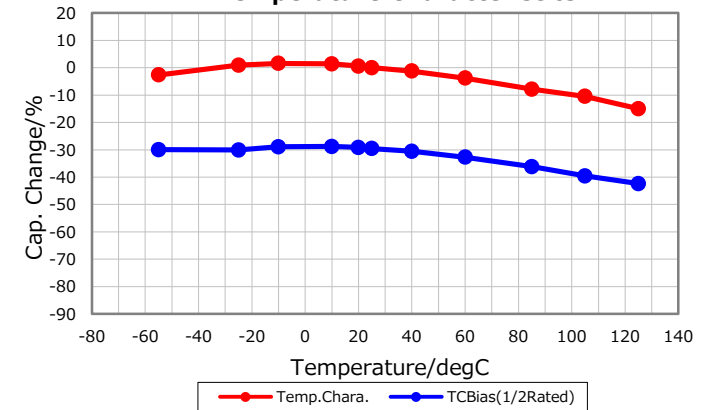
Cap. vs. Freq. Characteristic



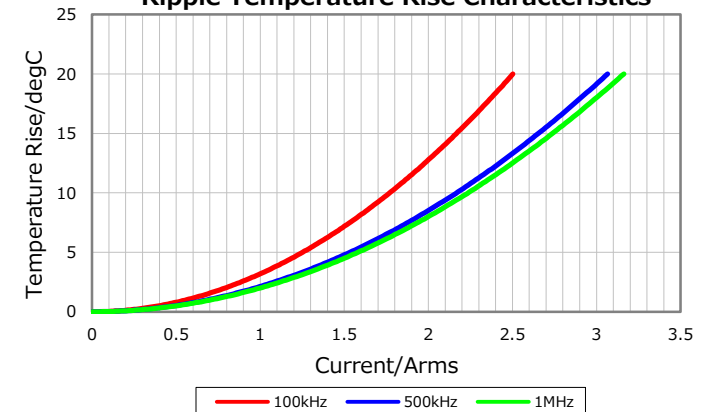
DC Bias Characteristic



Temperature Characteristics



Ripple Temperature Rise Characteristics



Characterization Sheet (Multilayer Ceramic Chip Capacitors)



All specifications are subject to change without notice.

March 16, 2017