

# C2012X7R1H474K125AE

TDK item description : C2012X7R1H474KT\*\*\*S

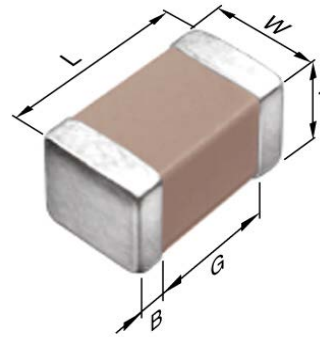


## Application & Main Feature

Commercial grade (Soft termination)

## Series

C2012 [EIA 0805]



## Dimensions

L 2.00+0.45/+0.20 mm  
W 1.25+0.25/+0.20 mm  
T 1.25+0.25/+0.20 mm  
B 0.20 mm min.  
G 0.50 mm min.

## Temperature Characteristic

X7R (-55 to +125 degC,  $\pm 15\%$ )

## Rated Voltage

1H (50Vdc)

## Capacitance

470nF

## Capacitance Tolerance

K ( $\pm 10\%$ )

## Dissipation Factor

5 % max.

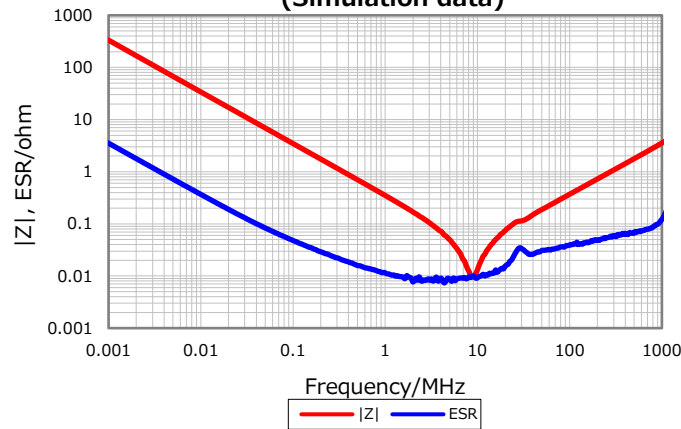
## Insulation Resistance

1063 Mohm min.

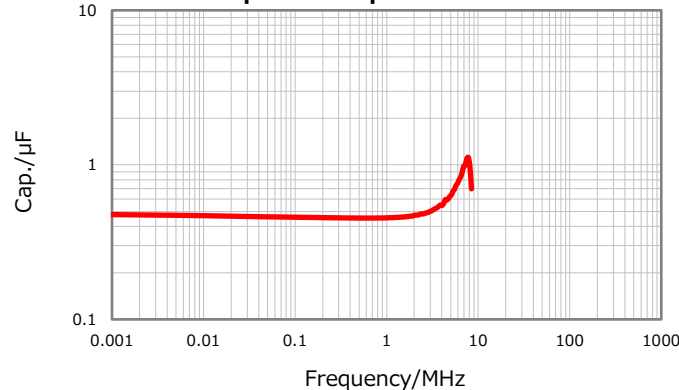
## AEC-Q200

Not Applicable

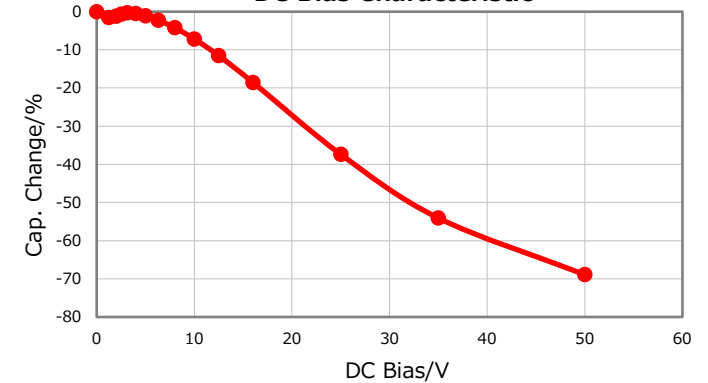
**|Z|, ESR vs. Freq. Characteristics  
(Simulation data)**



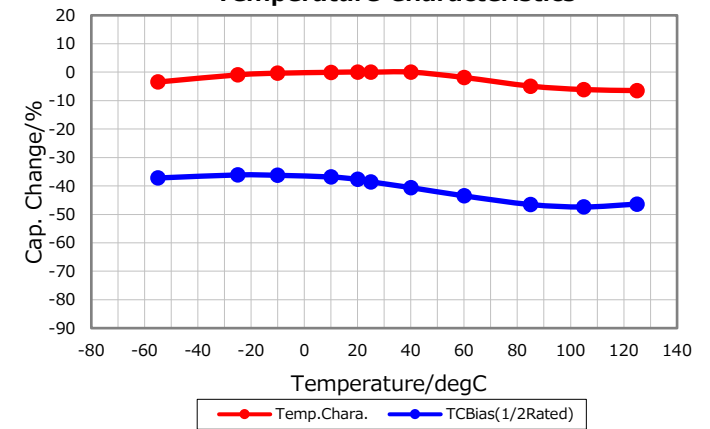
**Cap. vs. Freq. Characteristic**



**DC Bias Characteristic**



**Temperature Characteristics**



**Ripple Temperature Rise Characteristics**

