

C2012X7R1V475K125AE

TDK item description : C2012X7R1V475KT***S

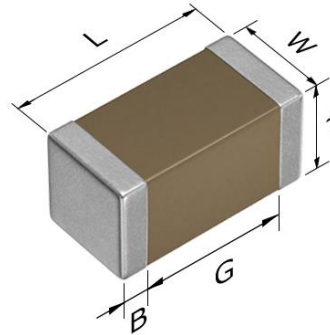


Application & Main Feature

Commercial grade (Soft termination)

Series

C2012 [EIA 0805]



Dimensions

L 2.00+0.45,-0.20 mm
 W 1.25+0.25,-0.20 mm
 T 1.25+0.25,-0.20 mm
 B 0.20 mm min.
 G 0.50 mm min.

Temperature Characteristic

X7R (-55 to +125 degC, ±15%)

Rated Voltage

1V (35Vdc)

Capacitance

4.7µF

Capacitance Tolerance

K (±10%)

DF

5 % max.

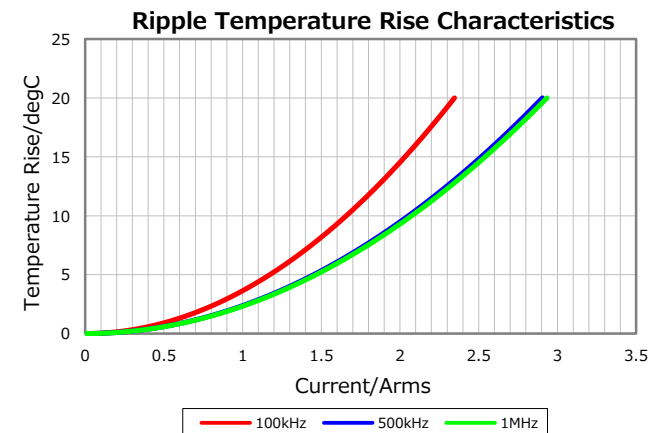
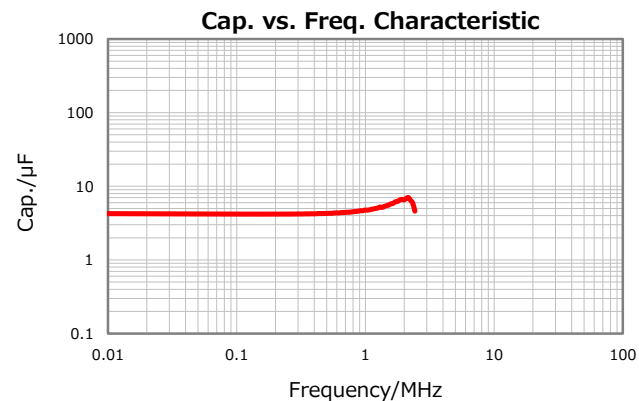
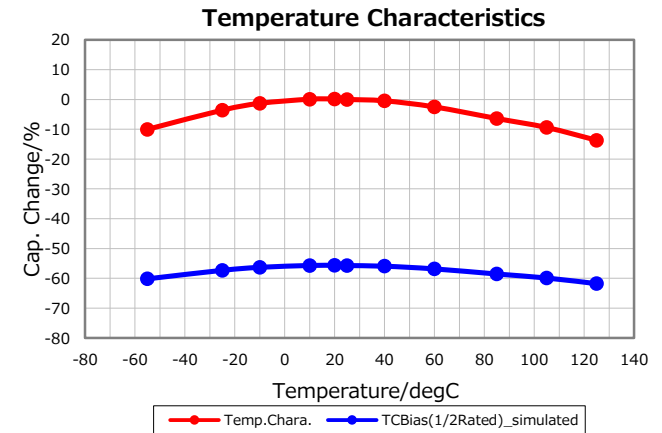
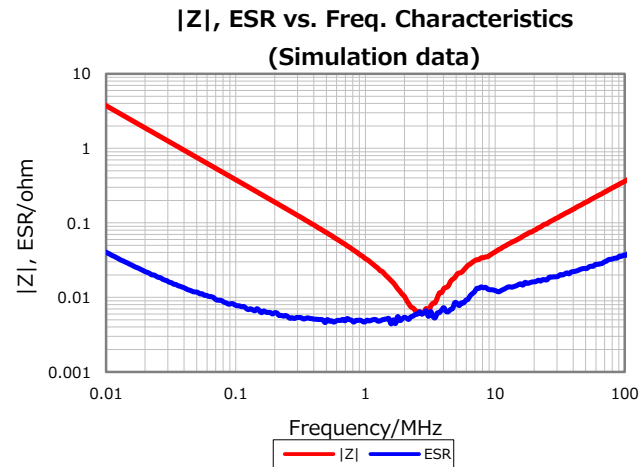
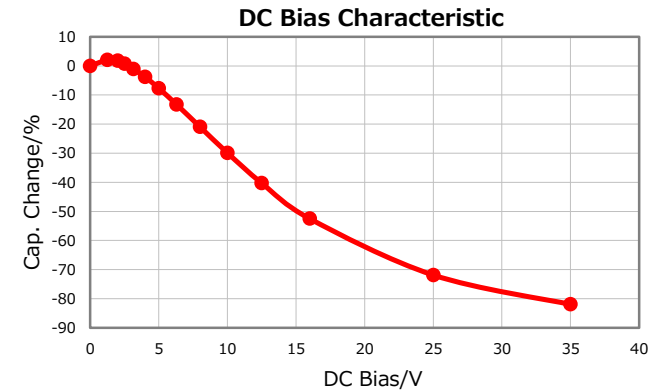
Insulation Resistance

106 Mohm min.

AEC-Q200

Not Applicable

Characterization Sheet (Multilayer Ceramic Chip Capacitors)



⚠ All specifications are subject to change without notice.

January 19, 2021