

# C2012X7R2E222K085AM

TDK Item Description : C2012X7R2E222KT5\*\*\*

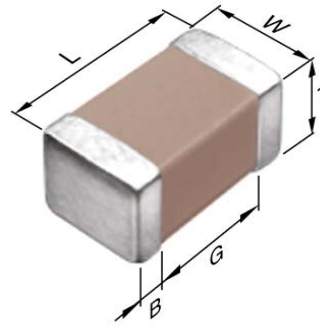


## Application & Main Feature

Commercial Grade ( Open Mode )

## Series

C2012 [EIA CC0805]



## Dimensions

L 2.00mm +/-0.2mm  
 W 1.25mm +/-0.2mm  
 T 0.85mm +/-0.15mm  
 B 0.20mm Min.  
 G 0.50mm Min.

## Temperature Characteristic

X7R (-55 to 125 degC +/-15%)

## Rated Voltage

2E (250Vdc)

## Capacitance

2.2nF

## Capacitance Tolerance

K (+/-10%)

## Dissipation Factor

3% Max.

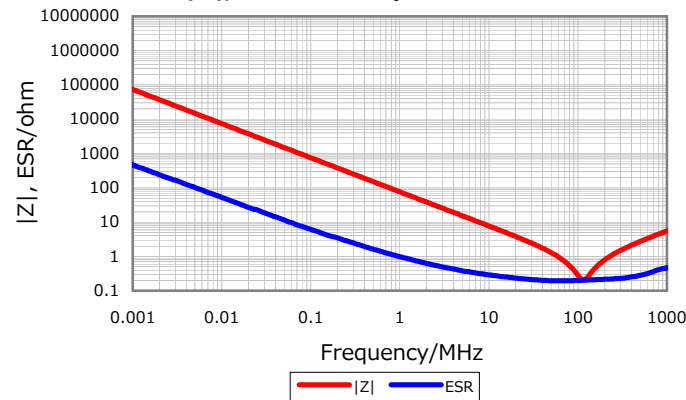
## Insulation Resistance

10Gohm Min.

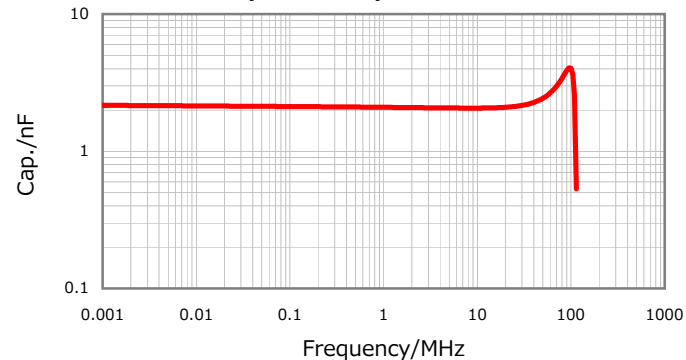
## AEC-Q200

Not Applicable

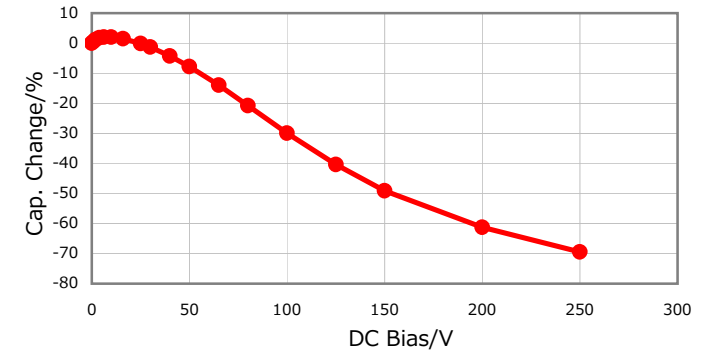
## |Z|, ESR vs. Freq. Characteristics



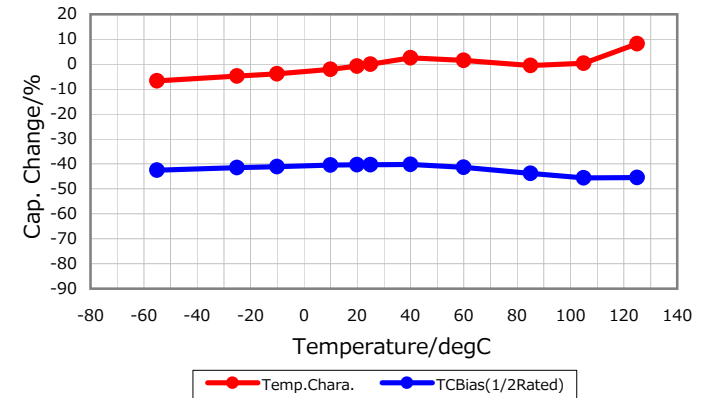
## Cap. vs. Freq. Characteristic



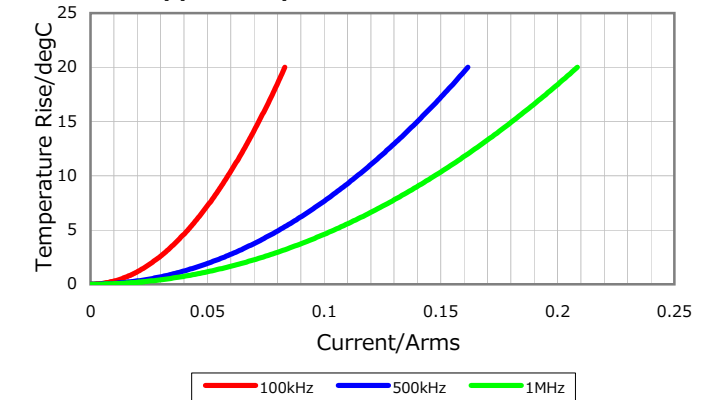
## DC Bias Characteristic



## Temperature Characteristics



## Ripple Temperature Rise Characteristics



Characterization Sheet ( Multilayer Ceramic Chip Capacitors )



All specifications are subject to change without notice.

January 3, 2016