

C2012X7S1E106K125AE

TDK item description : C2012X7S1E106KT***S

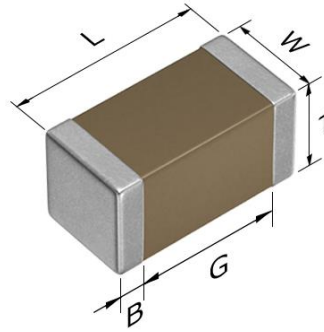


Application & Main Feature

Commercial grade (Soft termination)

Series

C2012 [EIA 0805]



Dimensions

L	2.00+0.45,-0.20 mm
W	1.25+0.25,-0.20 mm
T	1.25+0.25,-0.20 mm
B	0.20 mm min.
G	0.50 mm min.

Temperature Characteristic

X7S (-55 to +125 degC, ±22%)

Rated Voltage

1E (25Vdc)

Capacitance

10µF

Capacitance Tolerance

K (±10%)

DF

7.5 % max.

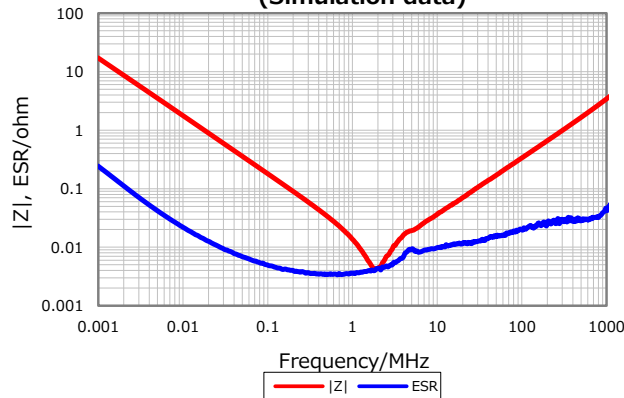
Insulation Resistance

50 Mohm min.

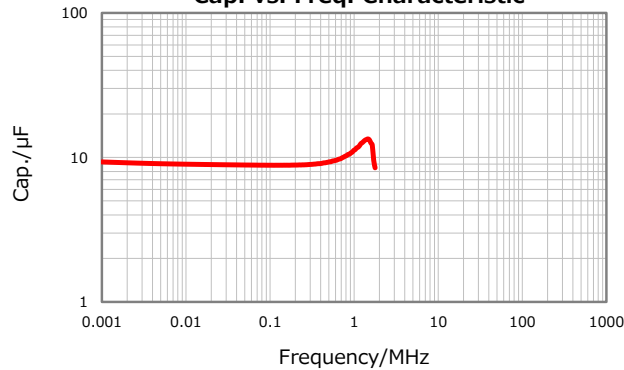
AEC-Q200

Not Applicable

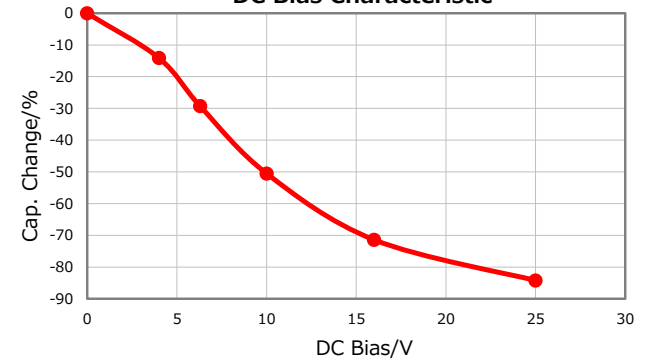
|Z|, ESR vs. Freq. Characteristics (Simulation data)



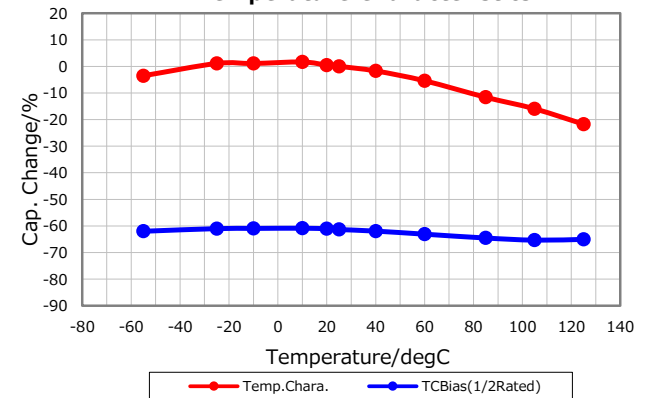
Cap. vs. Freq. Characteristic



DC Bias Characteristic



Temperature Characteristics



Ripple Temperature Rise Characteristics

