

# C2012X8L1C475K125AC

TDK item description : C2012X8L1C475KT\*\*\*\*

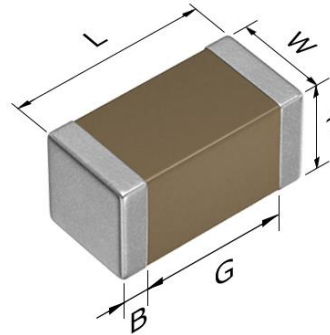


## Application & Main Feature

Commercial grade (General type)

## Series

C2012 [EIA 0805]



## Dimensions

L 2.00±0.20 mm  
 W 1.25±0.20 mm  
 T 1.25±0.20 mm  
 B 0.20 mm min.  
 G 0.50 mm min.

## Temperature Characteristic

X8L (-55 to +150 degC, +15/-40%)

## Rated Voltage

1C (16Vdc)

## Capacitance

4.7µF

## Capacitance Tolerance

K (±10%)

## DF

5 % max.

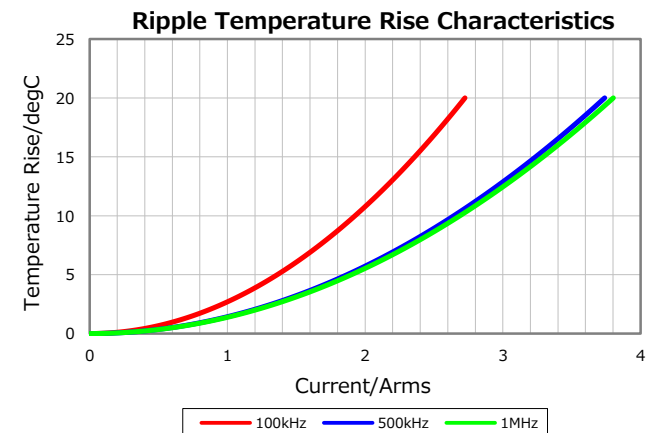
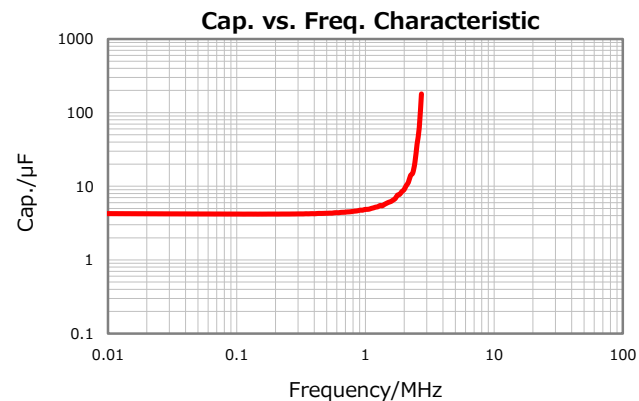
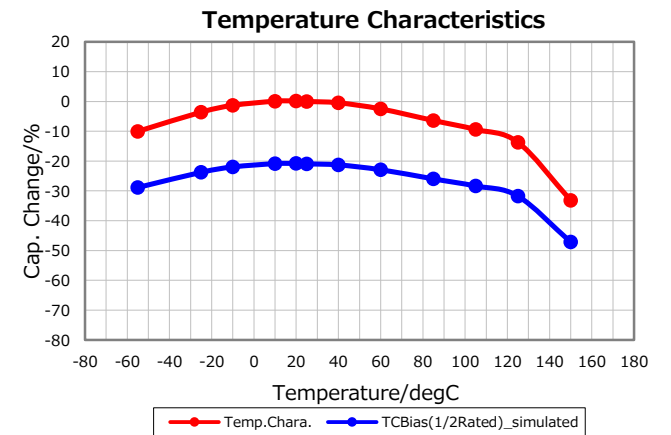
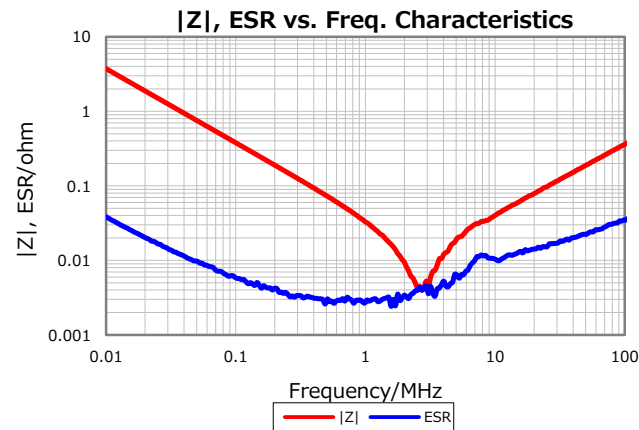
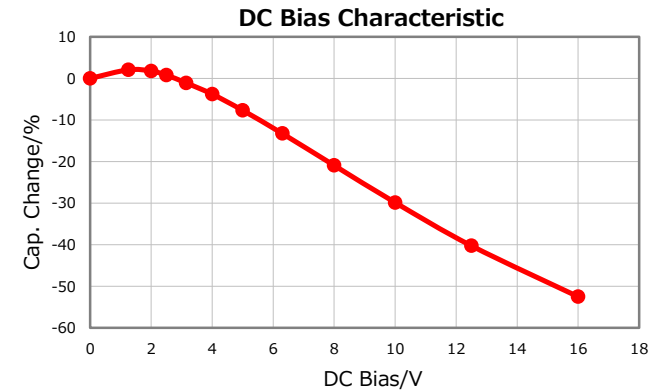
## Insulation Resistance

21 Mohm min.

## AEC-Q200

Not Applicable

Characterization Sheet ( Multilayer Ceramic Chip Capacitors)



⚠ All specifications are subject to change without notice.

January 19, 2021