

C3216X7R1C106M160AC

TDK Item Description : C3216X7R1C106MT***

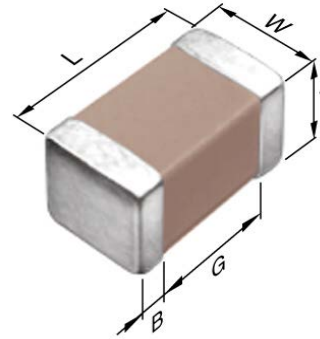


Application & Main Feature

Commercial Grade (General (Up to 50V))

Series

C3216 [EIA CC1206]



Dimensions

L 3.20mm +/-0.2mm
 W 1.60mm +/-0.2mm
 T 1.60mm +/-0.2mm
 B 0.20mm Min.
 G 1.00mm Min.

Temperature Characteristic

X7R (-55 to 125 degC +/-15%)

Rated Voltage

1C (16Vdc)

Capacitance

10uF

Capacitance Tolerance

M (+/-20%)

Dissipation Factor

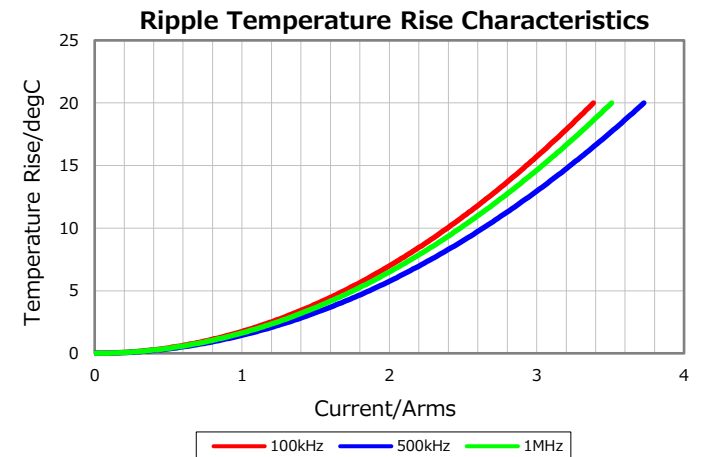
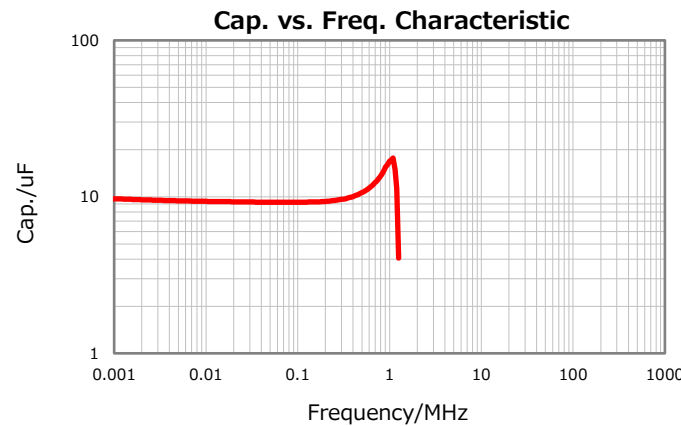
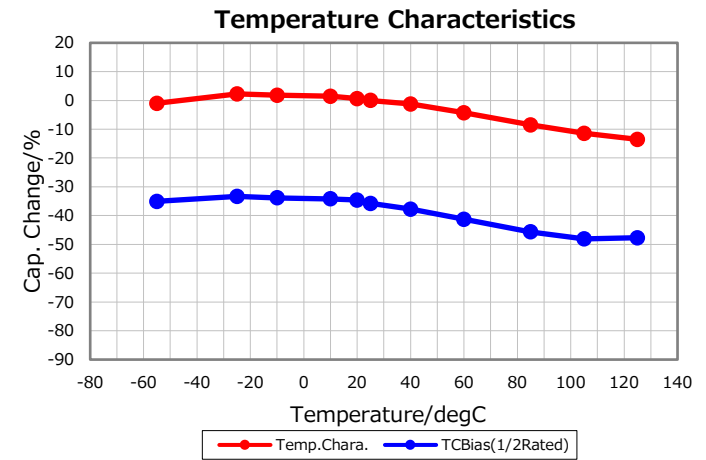
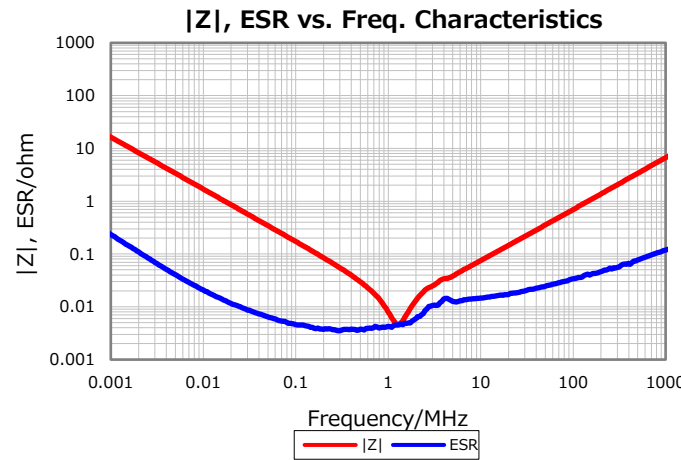
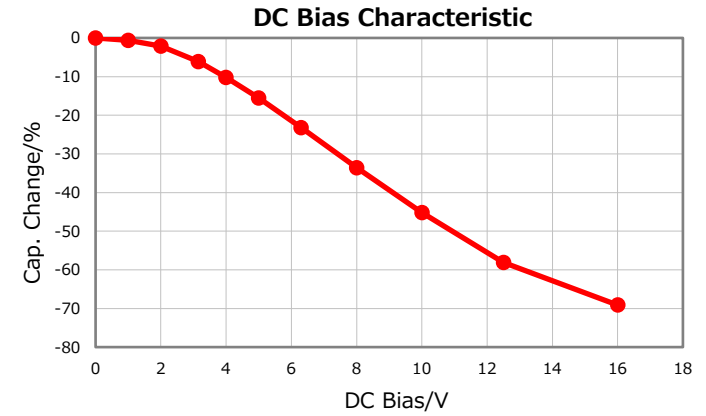
5% Max.

Insulation Resistance

10Mohm Min.

AEC-Q200

Not Applicable



Characterization Sheet (Multilayer Ceramic Chip Capacitors)



All specifications are subject to change without notice.

November 6, 2018