

C3216X7R2A475K160AC

TDK item description : C3216X7R2A475KT***

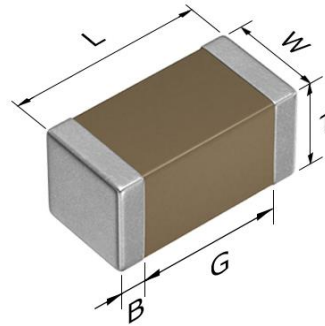


Application & Main Feature

Commercial grade (General type)

Series

C3216 [EIA 1206]



Dimensions

L 3.20+0.30,-0.10 mm
 W 1.60+0.30,-0.10 mm
 T 1.60+0.30,-0.10 mm
 B 0.20 mm min.
 G 1.00 mm min.

Temperature Characteristic

X7R (-55 to +125 degC, ±15%)

Rated Voltage

2A (100Vdc)

Capacitance

4.7µF

Capacitance Tolerance

K (±10%)

DF

5 % max.

Insulation Resistance

21 Mohm min.

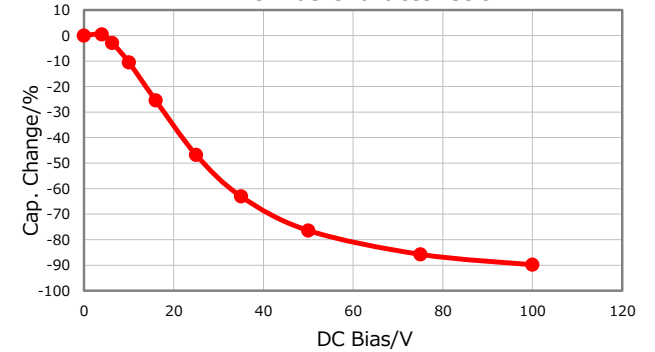
Voltage Proof

Rated voltage (100Vdc) x 2

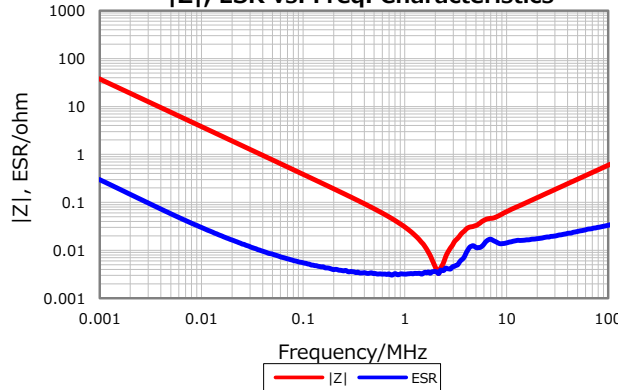
AEC-Q200

Not Applicable

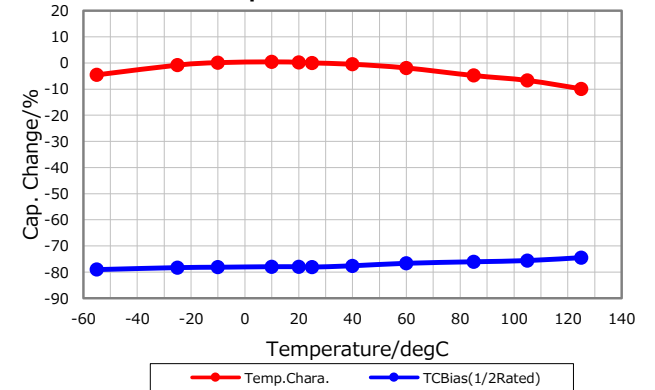
DC Bias Characteristic



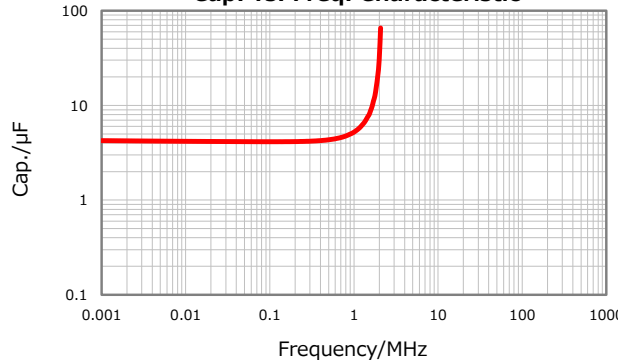
|Z|, ESR vs. Freq. Characteristics



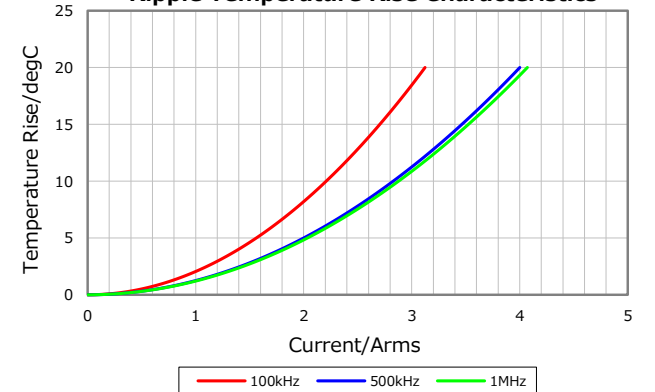
Temperature Characteristics



Cap. vs. Freq. Characteristic



Ripple Temperature Rise Characteristics



Characterization Sheet (Multilayer Ceramic Chip Capacitors)



All specifications are subject to change without notice.

April 24, 2023