

C3216X7S1A156M160AC

TDK Item Description : C3216X7S1A156MT****

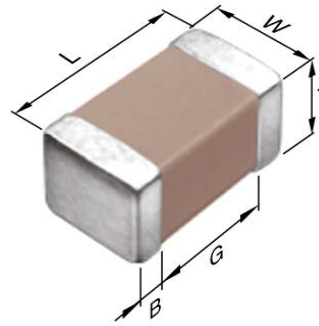


Application & Main Feature

Commercial Grade (General (Up to 50V))

Series

C3216 [EIA 1206]



Dimensions

L	3.20mm +/-0.2mm
W	1.60mm +/-0.2mm
T	1.60mm +/-0.2mm
B	0.20mm Min.
G	1.00mm Min.

Temperature Characteristic

X7S (-55 to 125 degC +/-22%)

Rated Voltage

1A (10Vdc)

Capacitance

15uF

Capacitance Tolerance

M (+/-20%)

Dissipation Factor

10% Max.

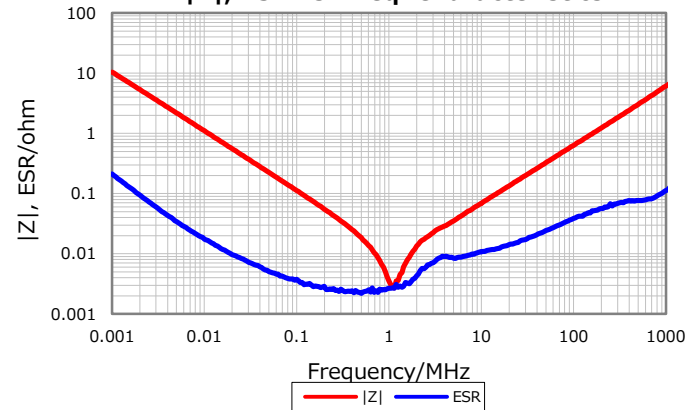
Insulation Resistance

6Mohm Min.

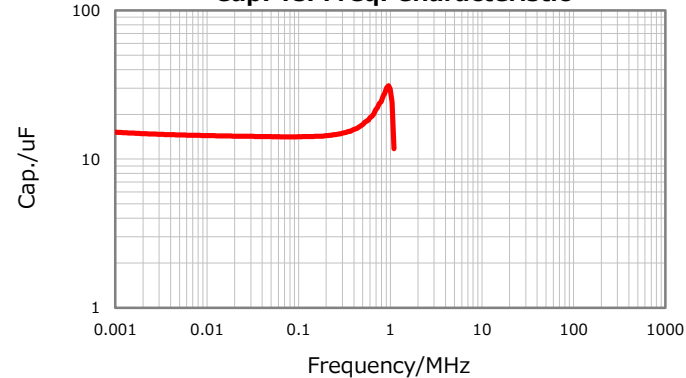
AEC-Q200

Not Applicable

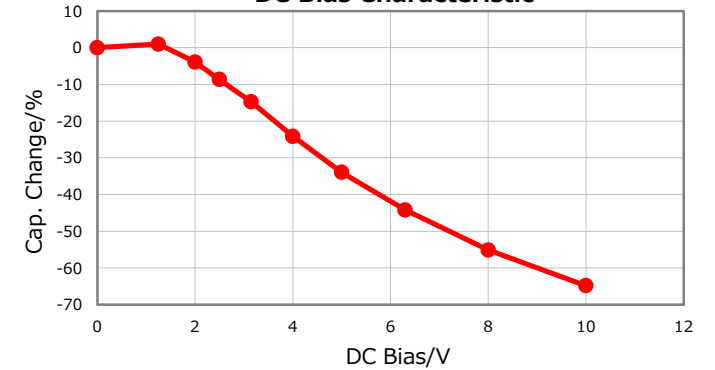
|Z|, ESR vs. Freq. Characteristics



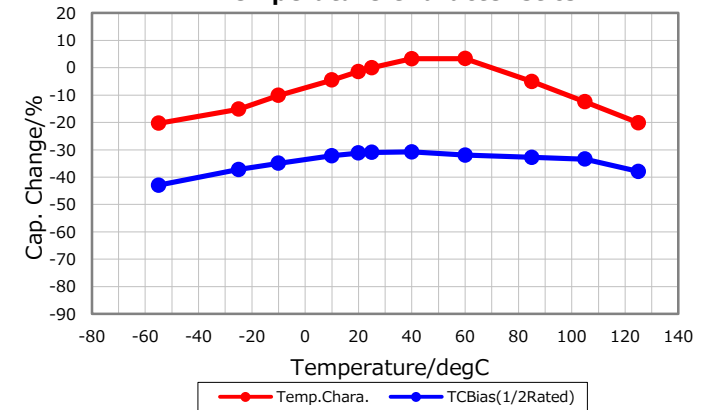
Cap. vs. Freq. Characteristic



DC Bias Characteristic



Temperature Characteristics



Ripple Temperature Rise Characteristics

