

# C3225C0G3A123J250AC

TDK item description : C3225C0G3A123JT\*\*\*\*

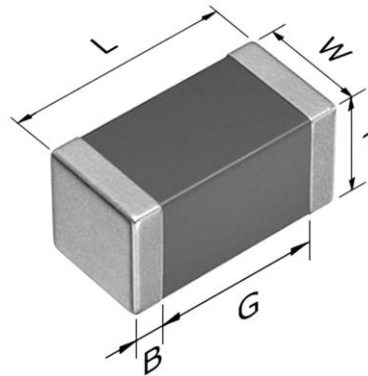


## Application & Main Feature

Commercial grade (General type)

## Series

C3225 [EIA 1210]



## Dimensions

L	3.20±0.40 mm
W	2.50±0.30 mm
T	2.50±0.30 mm
B	0.20 mm min.
G	---

## Temperature Characteristic

C0G (-55 to +125 degC, 0±30ppm/°C)

## Rated Voltage

3A (1000Vdc)

## Capacitance

12nF

## Capacitance Tolerance

J (±5%)

## Q

1,000 min.

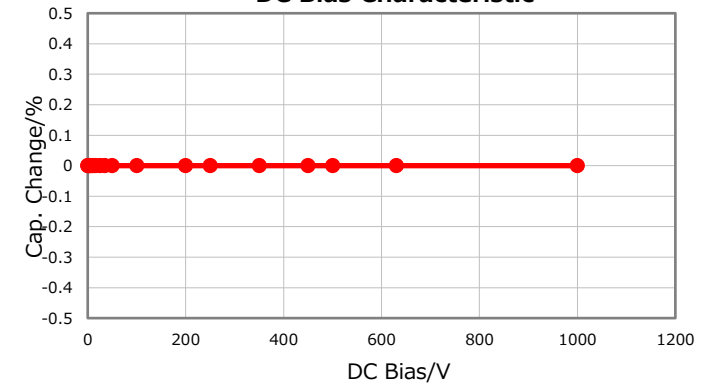
## Insulation Resistance

10000 Mohm min.

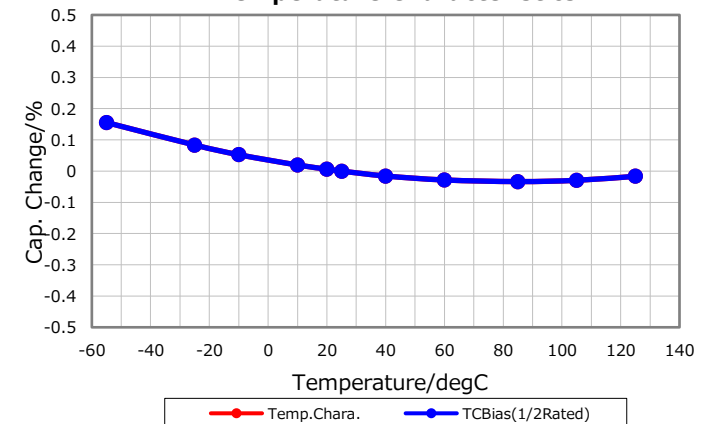
## AEC-Q200

Not Applicable

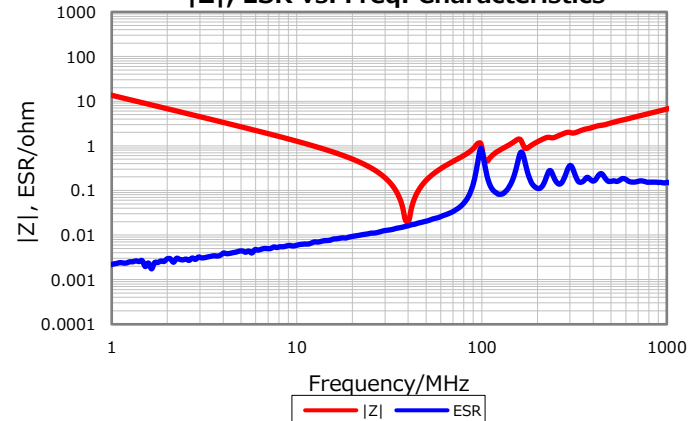
## DC Bias Characteristic



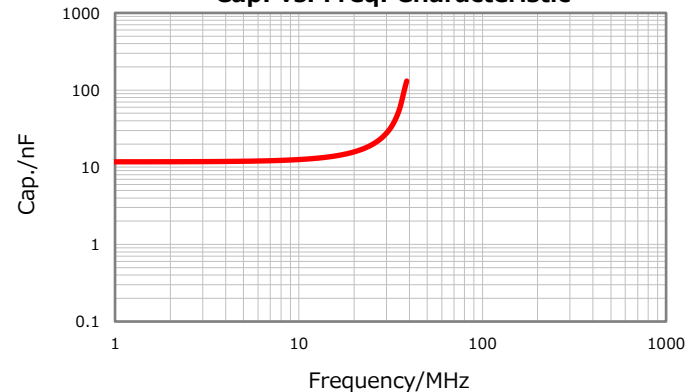
## Temperature Characteristics



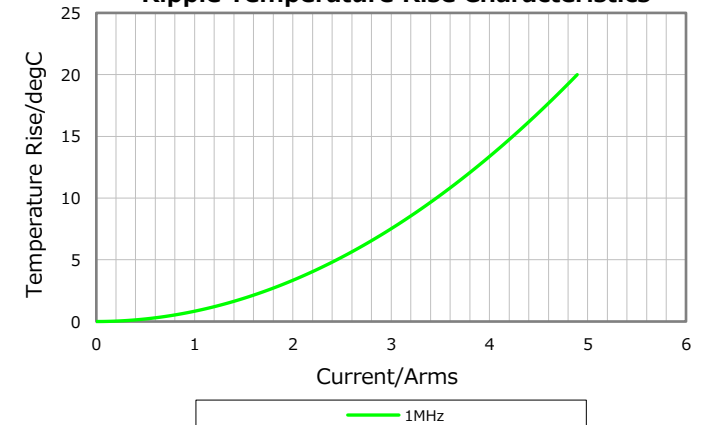
## |Z|, ESR vs. Freq. Characteristics



## Cap. vs. Freq. Characteristic



## Ripple Temperature Rise Characteristics



Characterization Sheet (Multilayer Ceramic Chip Capacitors)



All specifications are subject to change without notice.

April 7, 2023