

C3225C0G3A562J200AE

TDK item description : C3225C0G3A562JT***S

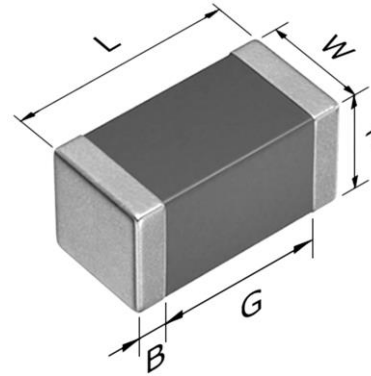


Application & Main Feature

Commercial grade (Soft termination)

Series

C3225 [EIA 1210]



Dimensions

L	3.20+0.50,-0.40 mm
W	2.50±0.30 mm
T	2.00+0.30,-0.20 mm
B	0.20 mm min.
G	---

Temperature Characteristic

C0G (-55 to +125 degC, 0±30ppm/°C)

Rated Voltage

3A (1000Vdc)

Capacitance

5.6nF

Capacitance Tolerance

J (±5%)

Q

1,000 min.

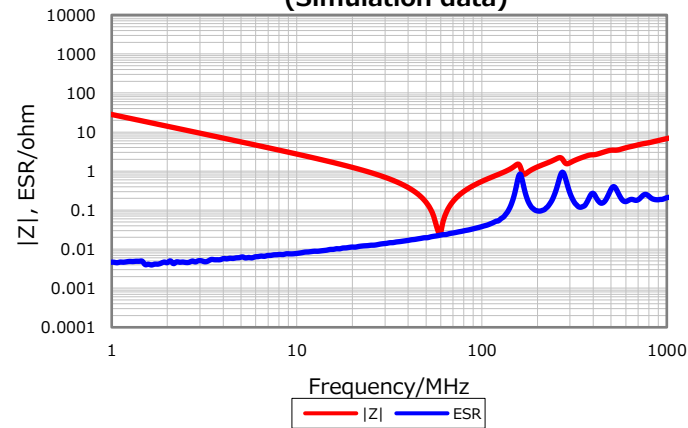
Insulation Resistance

10000 Mohm min.

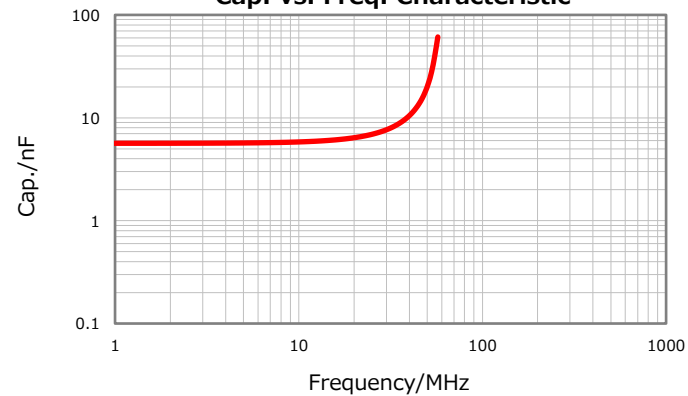
AEC-Q200

Not Applicable

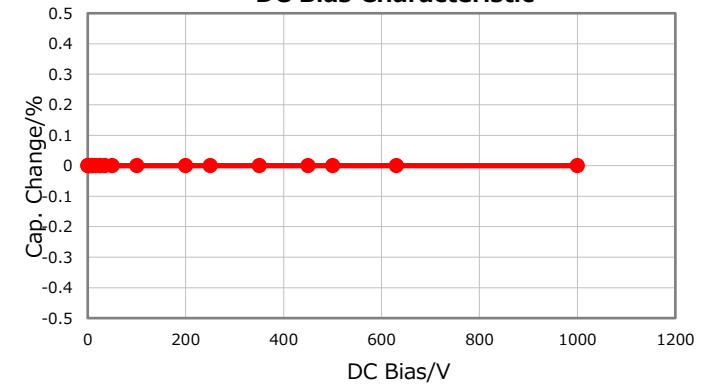
|Z|, ESR vs. Freq. Characteristics
(Simulation data)



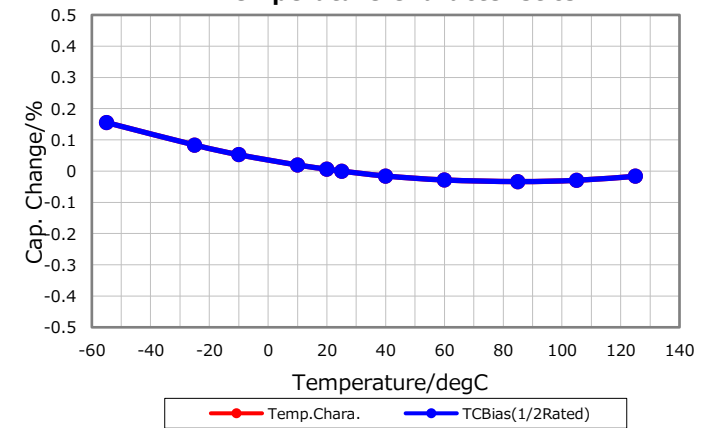
Cap. vs. Freq. Characteristic



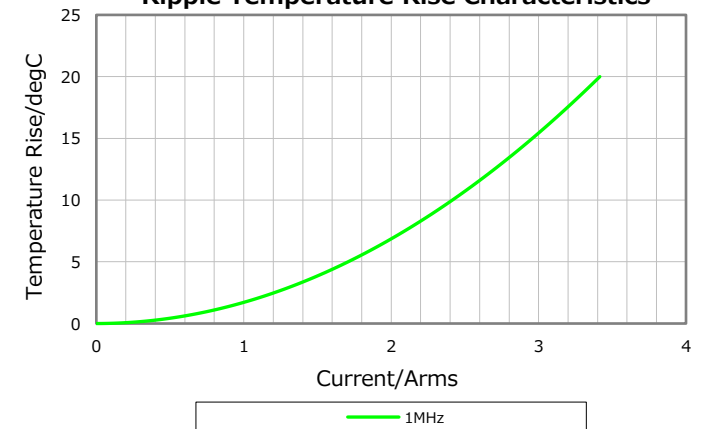
DC Bias Characteristic



Temperature Characteristics



Ripple Temperature Rise Characteristics



Characterization Sheet (Multilayer Ceramic Chip Capacitors)



All specifications are subject to change without notice.

April 7, 2023