

C3225X5R0J107M250AB

TDK item description : C3225X5R0J107MT****

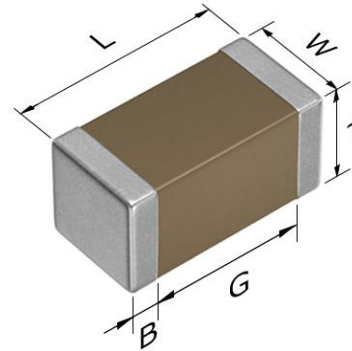


Application & Main Feature

Commercial grade (General type)

Series

C3225 [EIA 1210]



Dimensions

L 3.20±0.40 mm
 W 2.50+0.40,-0.30 mm
 T 2.50+0.40,-0.30 mm
 B 0.20 mm min.
 G ---

Temperature Characteristic

X5R (-55 to +85 degC, ±15%)

Rated Voltage

0J (6.3Vdc)

Capacitance

100µF

Capacitance Tolerance

M (±20%)

DF

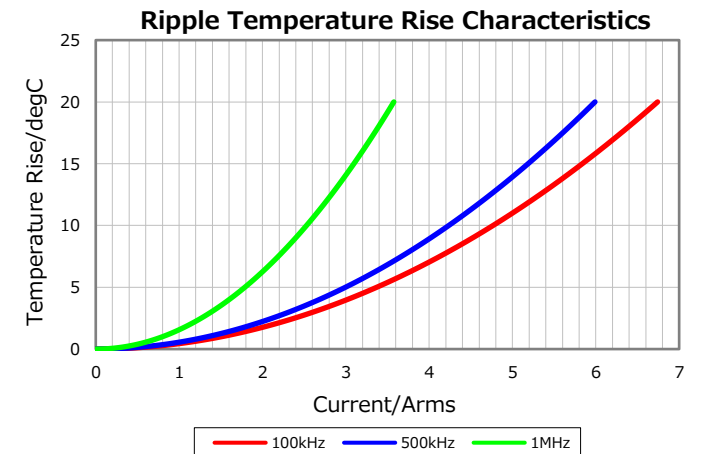
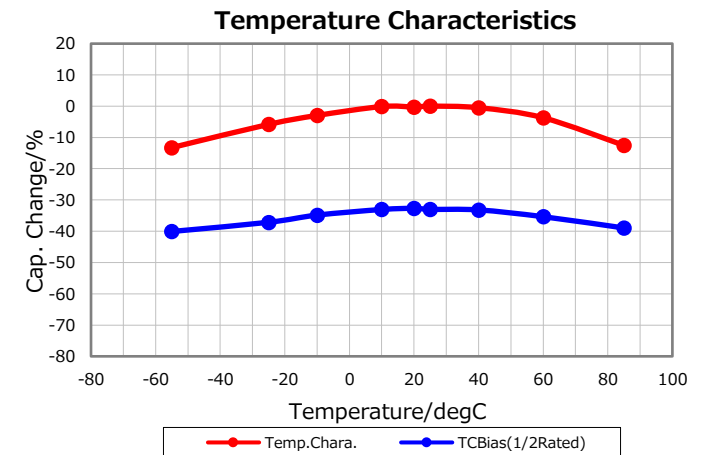
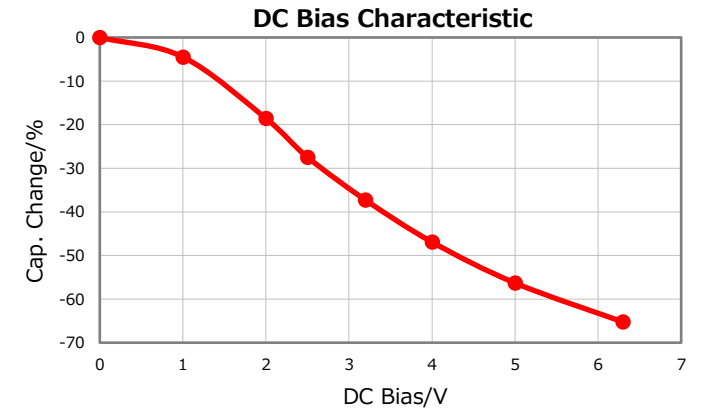
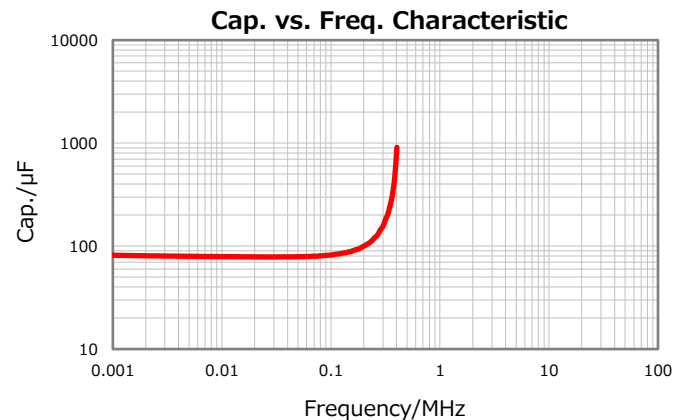
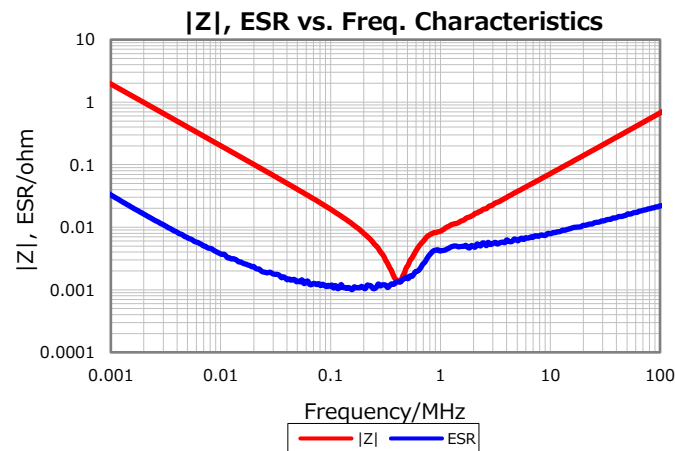
10 % max.

Insulation Resistance

1 Mohm min.

AEC-Q200

Not Applicable



Characterization Sheet (Multilayer Ceramic Chip Capacitors)



All specifications are subject to change without notice.

February 24, 2021