

# C3225X5R1A107M250AC

TDK item description : C3225X5R1A107MT\*\*\*\*

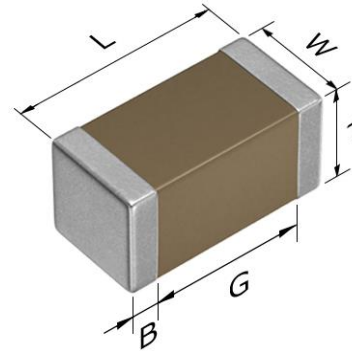


## Application & Main Feature

Commercial grade (General type)

## Series

C3225 [EIA 1210]



## Dimensions

L 3.20±0.40 mm  
 W 2.50+0.40,-0.30 mm  
 T 2.50+0.40,-0.30 mm  
 B 0.20 mm min.  
 G ---

## Temperature Characteristic

X5R (-55 to +85 degC, ±15%)

## Rated Voltage

1A (10Vdc)

## Capacitance

100µF

## Capacitance Tolerance

M (±20%)

## DF

10 % max.

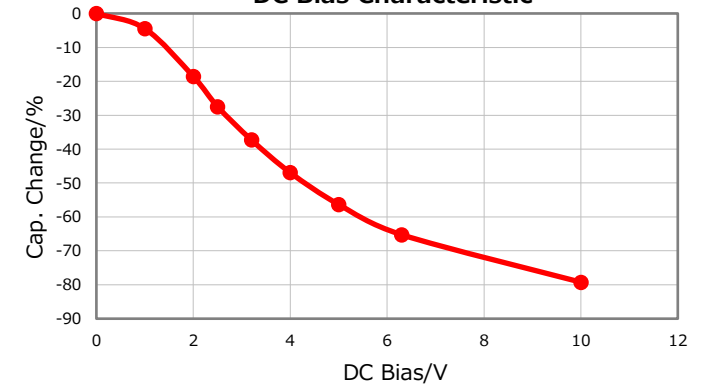
## Insulation Resistance

1 Mohm min.

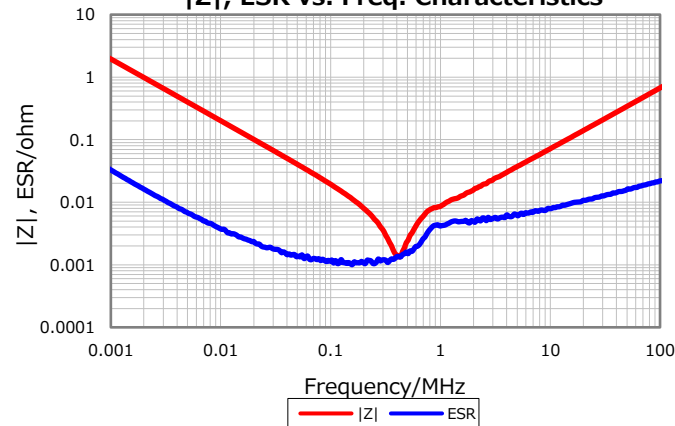
## AEC-Q200

Not Applicable

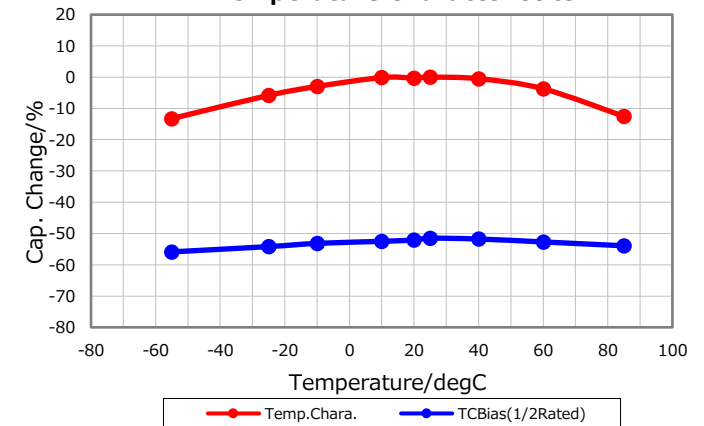
## DC Bias Characteristic



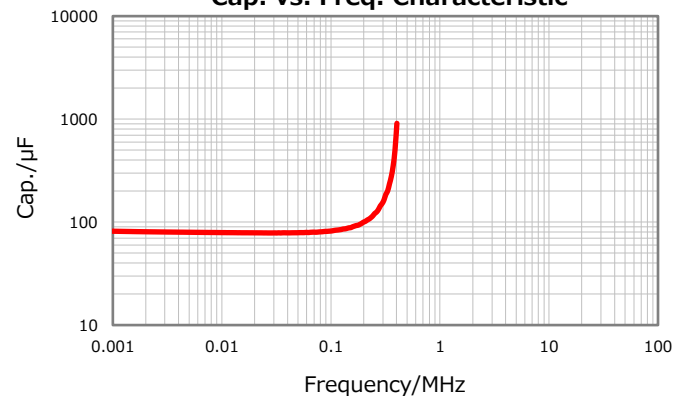
## |Z|, ESR vs. Freq. Characteristics



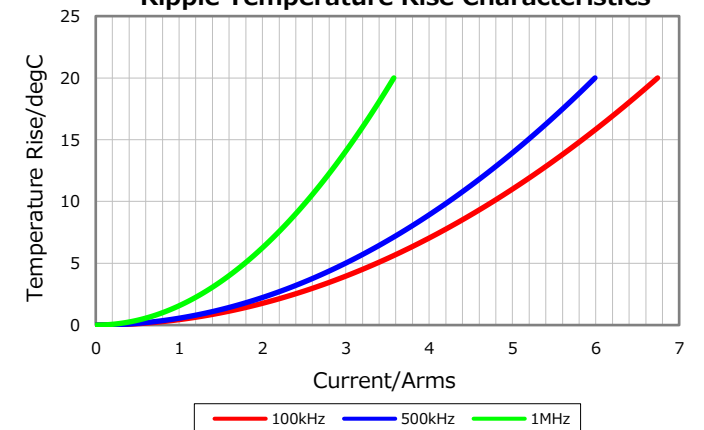
## Temperature Characteristics



## Cap. vs. Freq. Characteristic



## Ripple Temperature Rise Characteristics



Characterization Sheet ( Multilayer Ceramic Chip Capacitors )



All specifications are subject to change without notice.

February 24, 2021