

C3225X5R1H106K250AB

TDK item description : C3225X5R1H106KT****

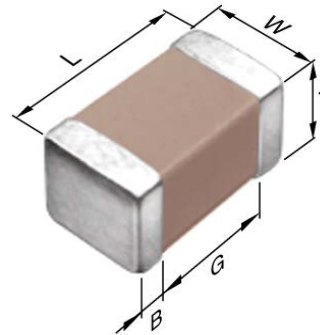


Application & Main Feature

Commercial grade (General type)

Series

C3225 [EIA 1210]



Dimensions

L 3.20±0.40 mm
 W 2.50±0.30 mm
 T 2.50±0.30 mm
 B 0.20 mm min.
 G ---

Temperature Characteristic

X5R (-55 to +85 degC, ±15%)

Rated Voltage

1H (50Vdc)

Capacitance

10µF

Capacitance Tolerance

K (±10%)

Dissipation Factor

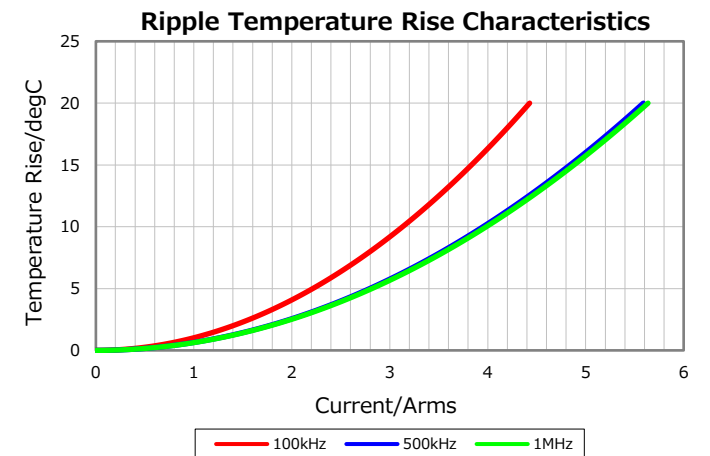
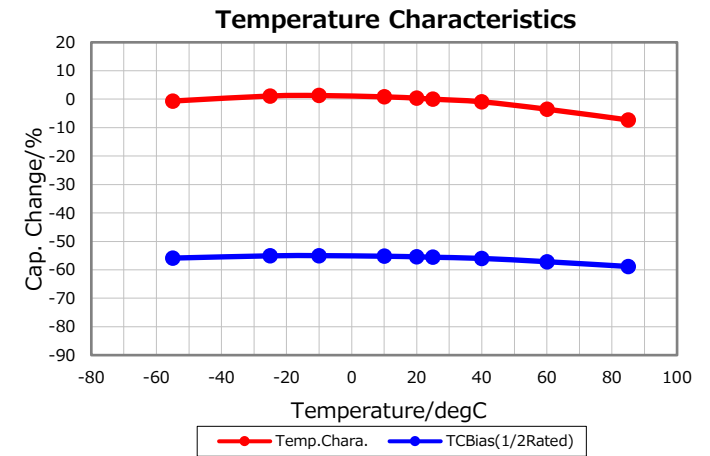
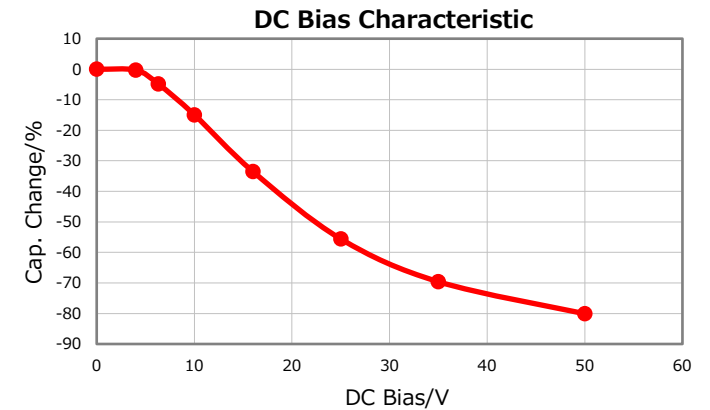
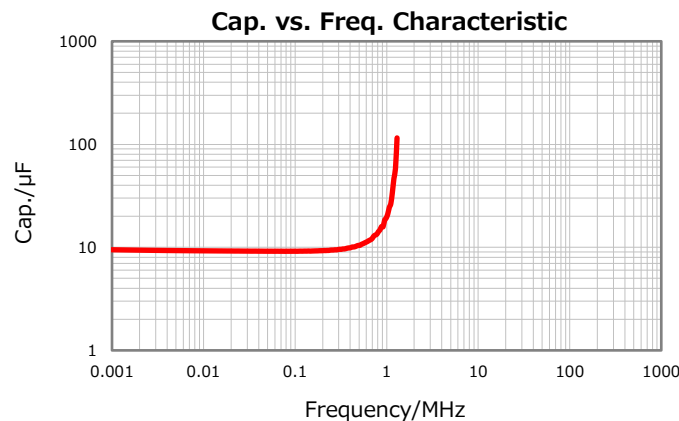
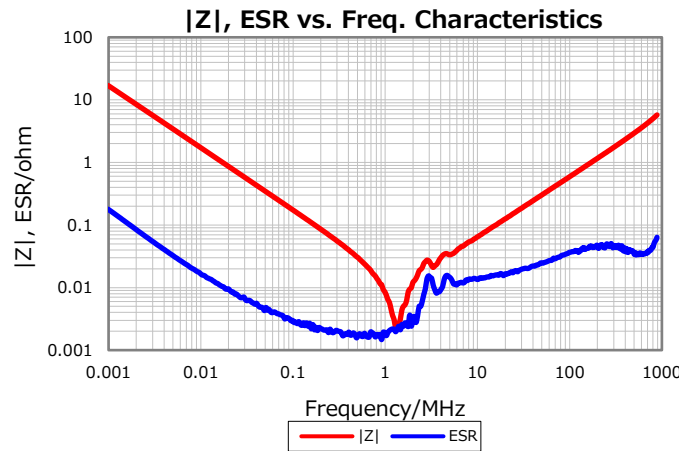
5 % max.

Insulation Resistance

50 Mohm min.

AEC-Q200

Not Applicable



Characterization Sheet (Multilayer Ceramic Chip Capacitors)



All specifications are subject to change without notice.

January 31, 2020