

# C3225X7S1H106M250AE

TDK item description : C3225X7S1H106MT\*\*\*S

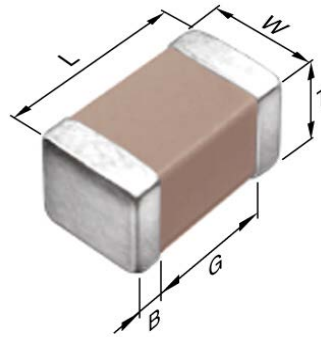


## Application & Main Feature

Commercial grade (Soft termination)

## Series

C3225 [EIA 1210]



## Dimensions

L 3.20+0.50/-0.40 mm  
 W 2.50±0.30 mm  
 T 2.50±0.30 mm  
 B 0.20 mm min.  
 G ---

## Temperature Characteristic

X7S (-55 to +125 degC, ±22%)

## Rated Voltage

1H (50Vdc)

## Capacitance

10µF

## Capacitance Tolerance

M (±20%)

## Dissipation Factor

5 % max.

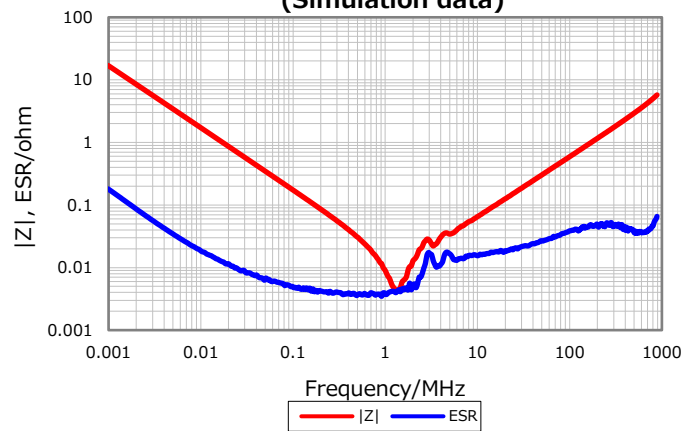
## Insulation Resistance

50 Mohm min.

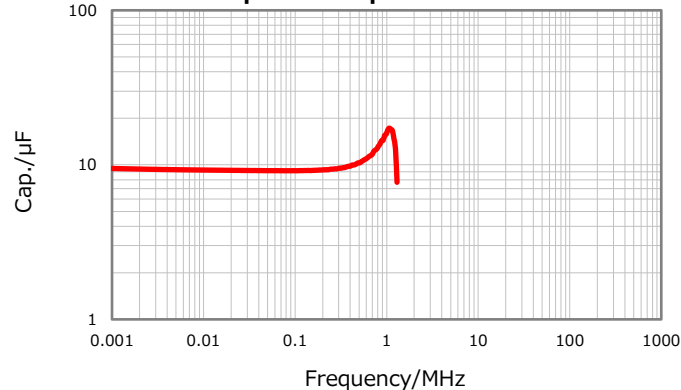
## AEC-Q200

Not Applicable

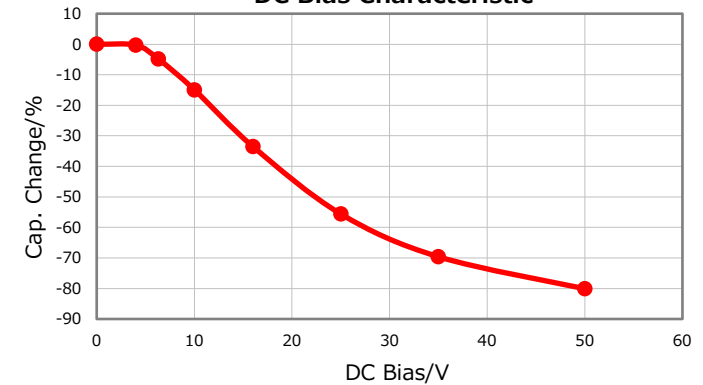
**|Z|, ESR vs. Freq. Characteristics  
(Simulation data)**



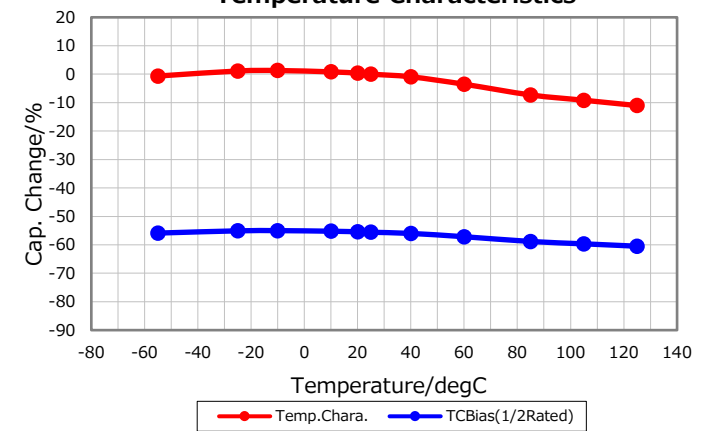
**Cap. vs. Freq. Characteristic**



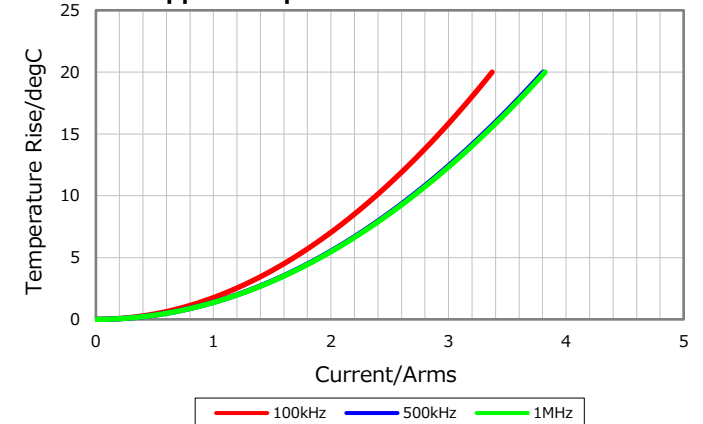
**DC Bias Characteristic**



**Temperature Characteristics**



**Ripple Temperature Rise Characteristics**



Characterization Sheet (Multilayer Ceramic Chip Capacitors)



All specifications are subject to change without notice.

January 31, 2020