

C4532C0G2J333J200KA

TDK Item Description : C4532C0G2J333J****

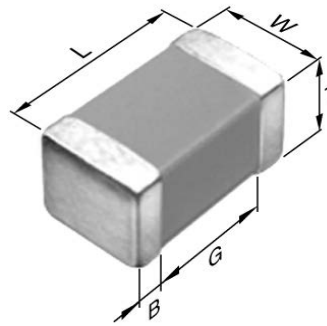


Application & Main Feature

Commercial Grade (Mid Voltage (100 to 630V))

Series

C4532 [EIA 1812]



Dimensions

L	4.50mm ±0.40mm
W	3.20mm ±0.40mm
T	2.00mm ±0.20mm
B	0.20mm Min.
G	

Temperature Characteristic

C0G (-55 to 125 degC 0+/-30ppm/degC)

Rated Voltage

2J(630Vdc)

Capacitance

33nF

Capacitance Tolerance

J (±5%)

Q Factor

1000 Min.

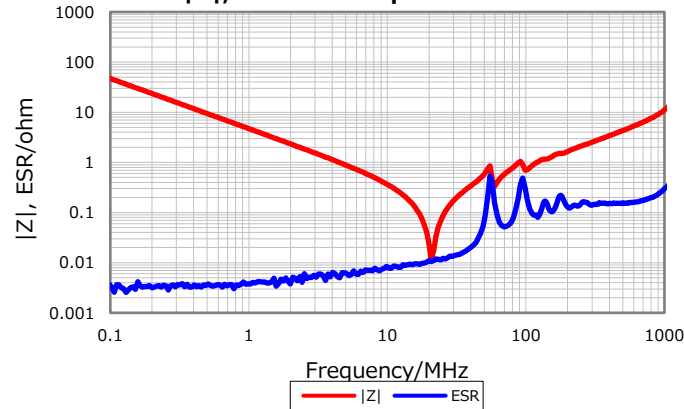
Insulation Resistance

10Gohm Min

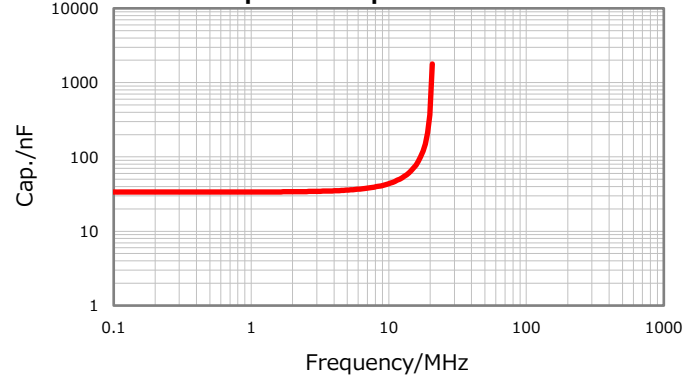
AEC-Q200

Not Applicable

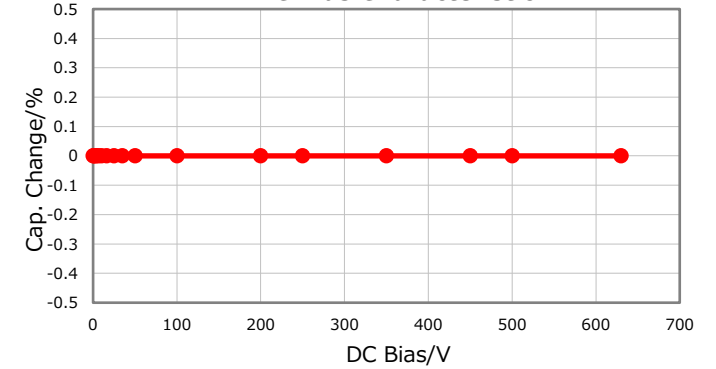
|Z|, ESR vs. Freq. Characteristics



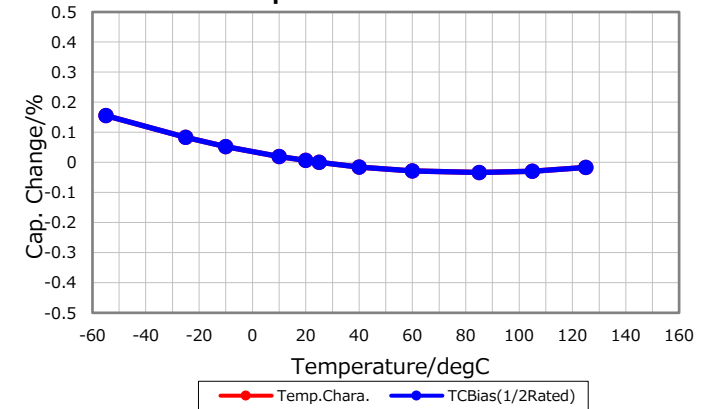
Cap. vs. Freq. Characteristic



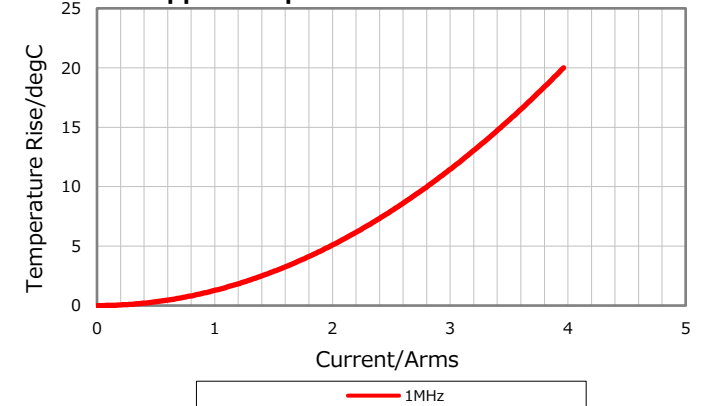
DC Bias Characteristic



Temperature Characteristics



Ripple Temperature Rise Characteristics



Characterization Sheet (Multilayer Ceramic Chip Capacitors)



All specifications are subject to change without notice.

May 22, 2019