

C4532CH2E104J320KN

TDK Item Description : C4532CH2E104JT****

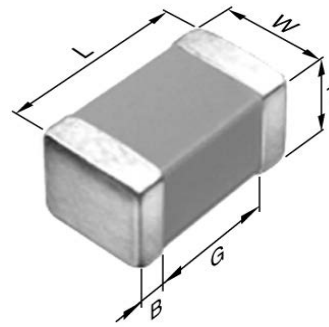


Application & Main Feature

Commercial Grade (Mid Voltage (100 to 630V))

Series

C4532 [EIA 1812]



Dimensions

L	4.50mm ±0.40mm
W	3.20mm ±0.40mm
T	3.20mm ±0.30mm
B	0.20mm Min.
G	

Temperature Characteristic

CH (-25 to 85 degC 0+/-60ppm/degC)

Rated Voltage

2E(250Vdc)

Capacitance

100nF

Capacitance Tolerance

J (±5%)

Q Factor

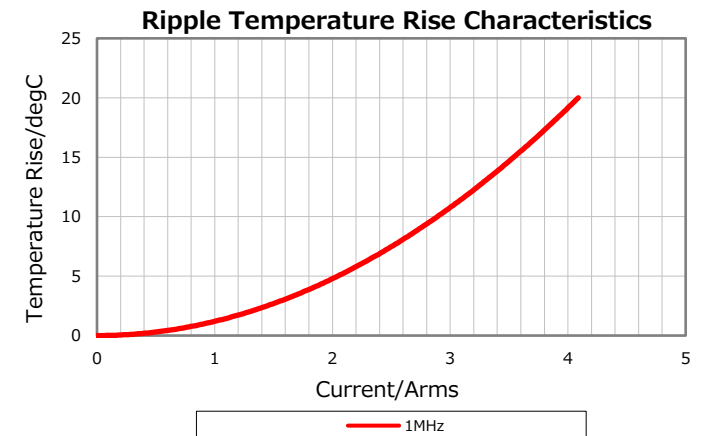
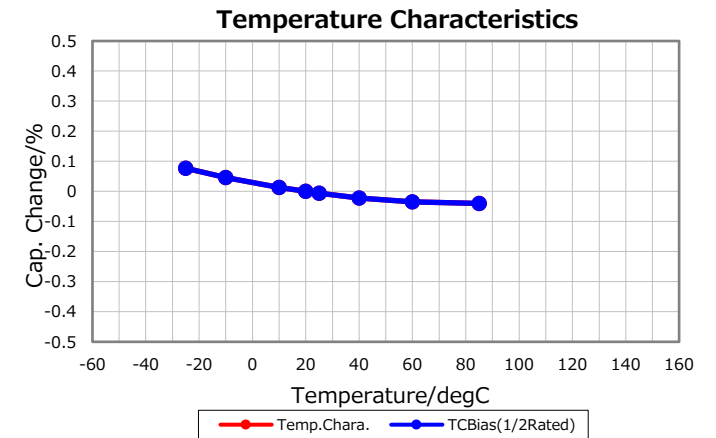
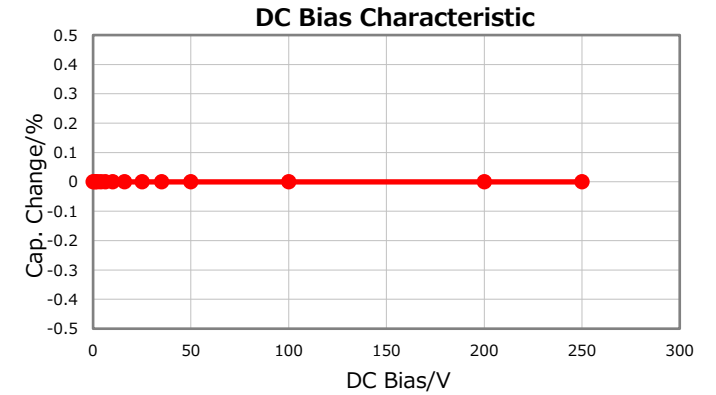
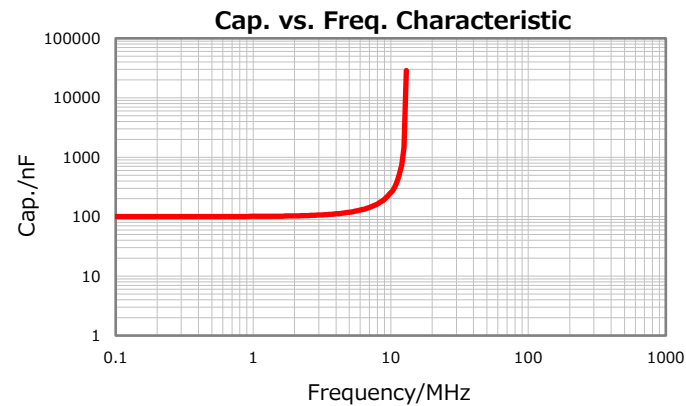
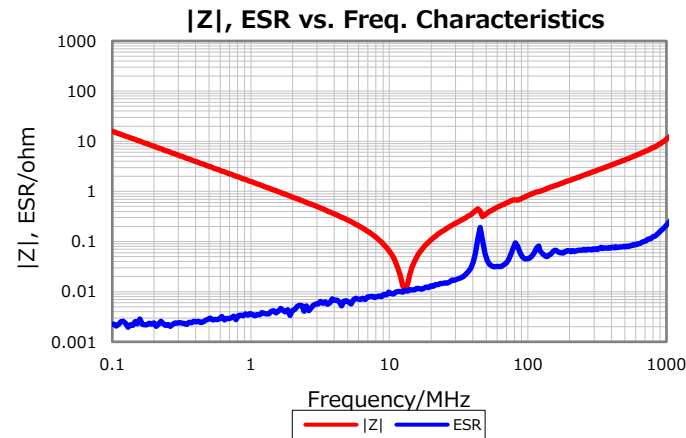
1000 Min.

Insulation Resistance

5Gohm Min

AEC-Q200

Not Applicable



Characterization Sheet (Multilayer Ceramic Chip Capacitors)



All specifications are subject to change without notice.

May 22, 2019