

C5750X7S3D103K250KA

TDK item description : C5750X7S3D103KT****

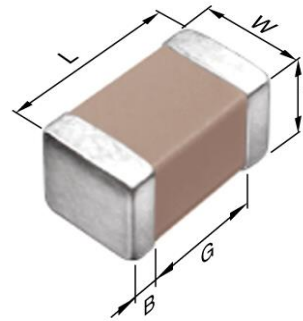


Application & Main Feature

Commercial grade (General type)

Series

C5750 [EIA 2220]



Dimensions

L 5.70±0.40 mm
 W 5.00±0.40 mm
 T 2.50±0.30 mm
 B 0.20 mm min.
 G ---

Temperature Characteristic

X7S (-55 to +125 degC, ±22%)

Rated Voltage

3D (2000Vdc)

Capacitance

10nF

Capacitance Tolerance

K (±10%)

DF

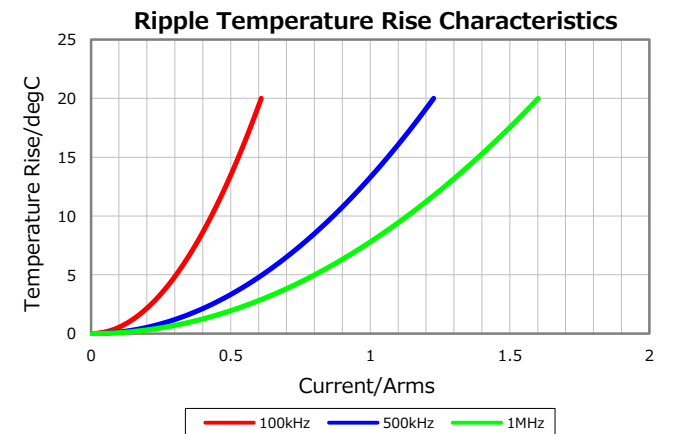
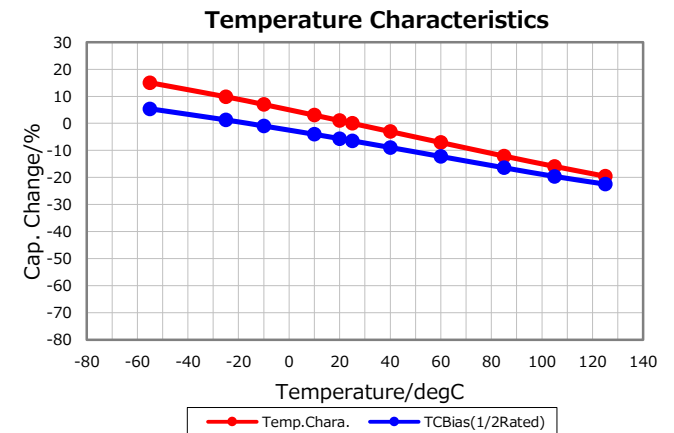
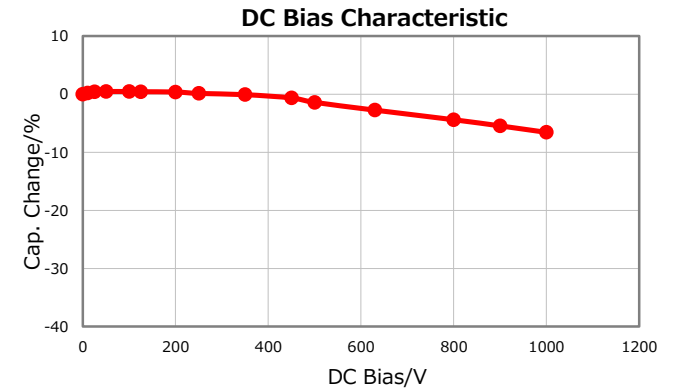
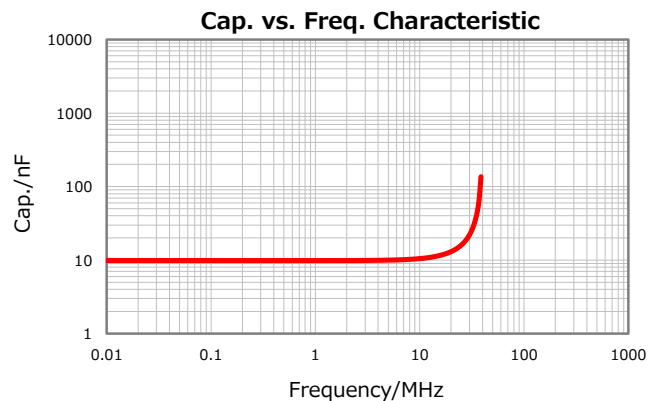
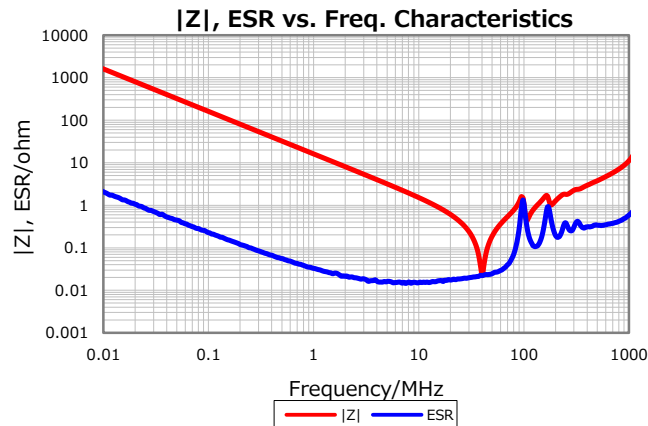
3 % max.

Insulation Resistance

10000 Mohm min.

AEC-Q200

Not Applicable



Characterization Sheet (Multilayer Ceramic Chip Capacitors)



⚠ All specifications are subject to change without notice.

May 12, 2020