

# C5750X7S3D472K200KA

TDK item description : C5750X7S3D472KT\*\*\*\*

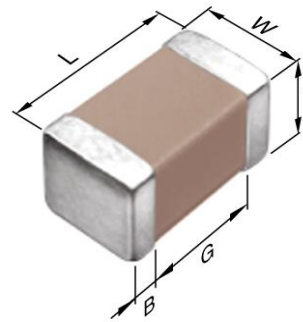


## Application & Main Feature

Commercial grade (General type)

## Series

C5750 [EIA 2220]



## Dimensions

L	5.70±0.40 mm
W	5.00±0.40 mm
T	2.00±0.20 mm
B	0.20 mm min.
G	---

## Temperature Characteristic

X7S (-55 to +125 degC, ±22%)

## Rated Voltage

3D (2000Vdc)

## Capacitance

4.7nF

## Capacitance Tolerance

K (±10%)

## DF

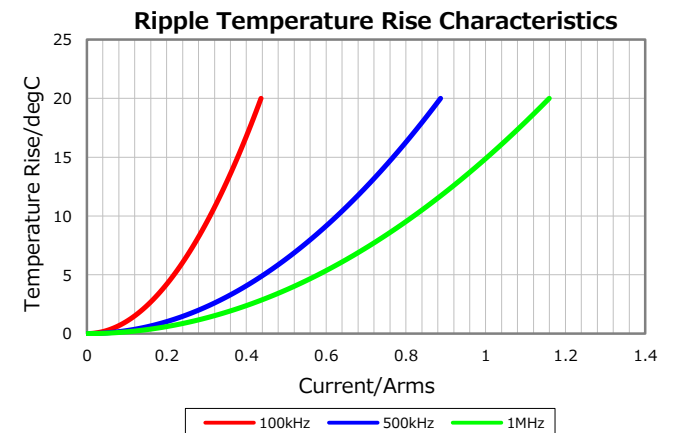
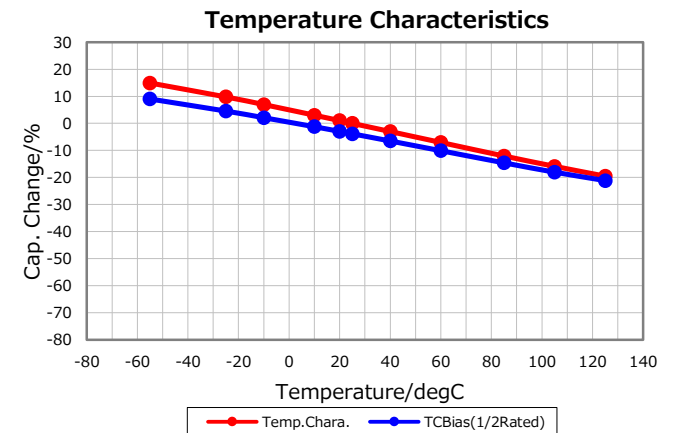
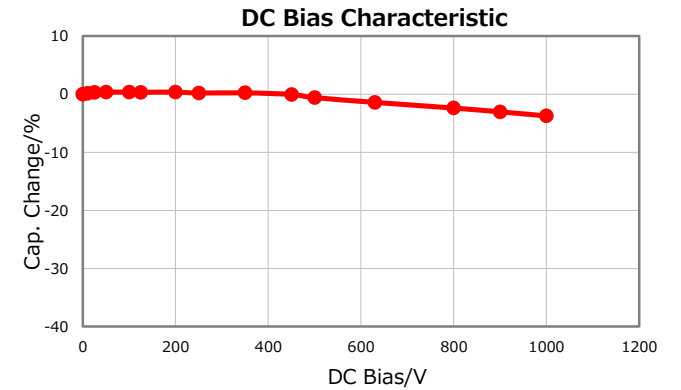
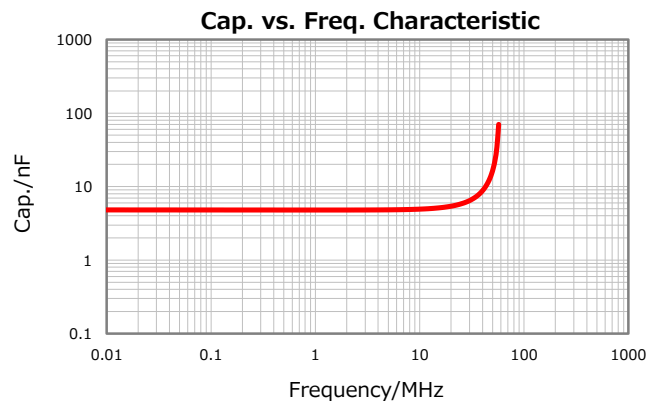
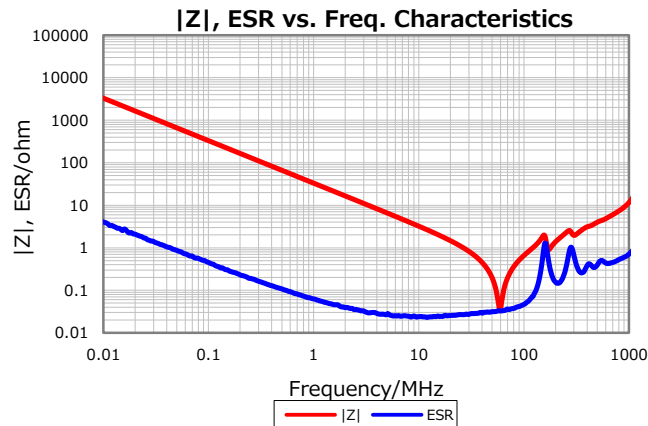
3 % max.

## Insulation Resistance

10000 Mohm min.

## AEC-Q200

Not Applicable



Characterization Sheet ( Multilayer Ceramic Chip Capacitors )



All specifications are subject to change without notice.

May 12, 2020