

# CAA572C0G3A663J640LH

TDK item description : CAA572C0G3A663JT\*\*\*\*

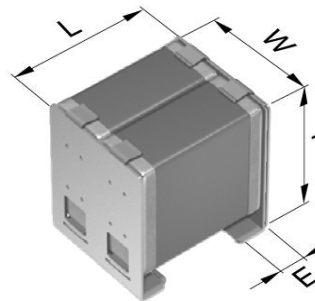


## Application & Main Feature

Commercial grade (MEGACAP (Low resistance/Inline))

## Series

CAA572(5750) [EIA 2220]



## Dimensions

L 6.00±0.50 mm  
W 5.60±0.50 mm  
T 6.40±0.50 mm  
E 1.20±0.20 mm

## Temperature Characteristic

C0G (-55 to +125 degC, 0±30ppm/°C)

## Rated Voltage

3A (1000Vdc)

## Capacitance

66nF

## Capacitance Tolerance

J (±5%)

## Q

1000 min.

## Insulation Resistance

7575 Mohm min.

## AEC-Q200

Not Applicable

