

# CGA2B1C0G2A471J050BE

TDK item description : CGA2B1C0G2A471JT\*\*\*S



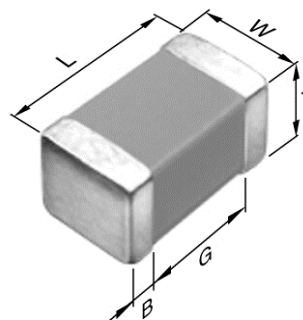
Equivalent C1005C0G2A471J for Automotive

## Application & Main Feature

Automotive grade (Soft termination)

## Series

CGA2(1005) [EIA 0402]



## Dimensions

L	1.00+0.15/-0.05 mm
W	0.50+0.10/-0.05 mm
T	0.50+0.10/-0.05 mm
B	0.10 mm min.
G	0.30 mm min.

## Temperature Characteristic

C0G (-55 to +125 degC, 0±30ppm/°C)

## Rated Voltage

2A (100Vdc)

## Capacitance

470pF

## Capacitance Tolerance

J (±5%)

## Q

1000 min.

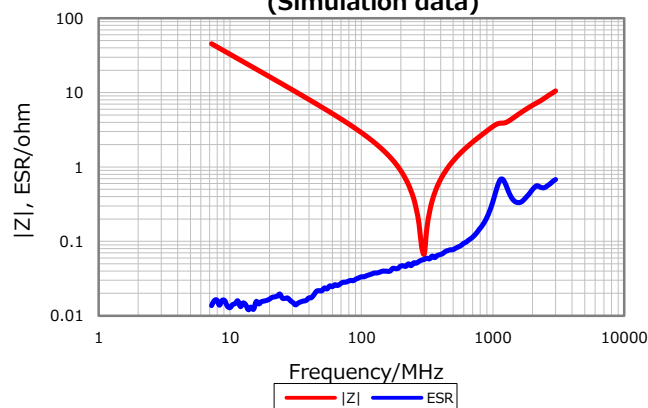
## Insulation Resistance

10000 Mohm min.

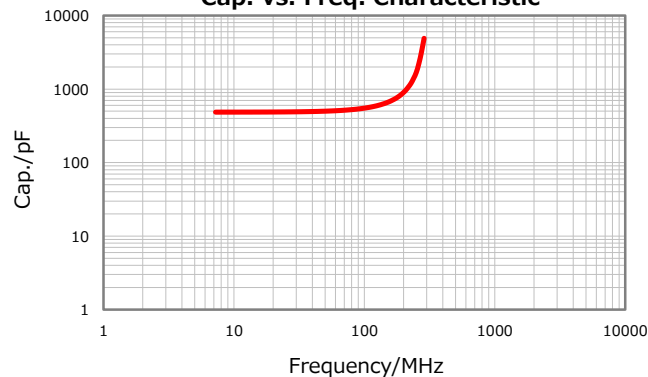
## AEC-Q200

Yes

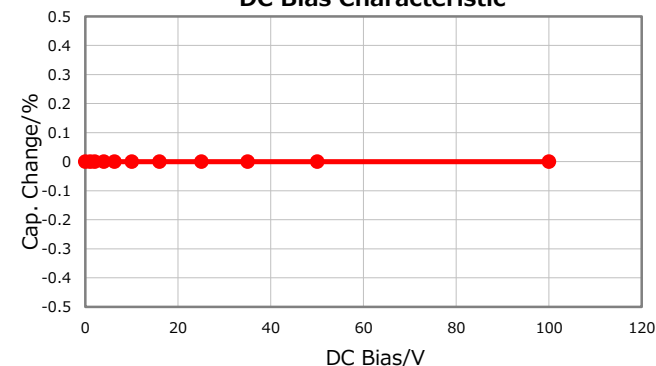
**|Z|, ESR vs. Freq. Characteristics**  
(Simulation data)



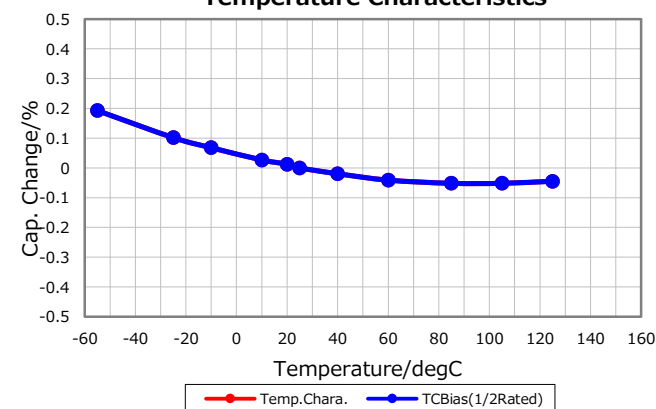
**Cap. vs. Freq. Characteristic**



**DC Bias Characteristic**



**Temperature Characteristics**



Characterization Sheet (Multilayer Ceramic Chip Capacitors)



All specifications are subject to change without notice.

June 3, 2020