

# CGA2B1X7S1C334K050BC

TDK item description : CGA2B1X7S1C334KT\*\*\*\*



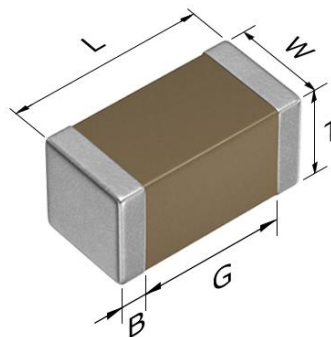
Equivalent C1005X7S1C334K for Automotive

## Application & Main Feature

Automotive grade (General type)

## Series

CGA2(1005) [EIA 0402]



### Dimensions

- L 1.00±0.05 mm
- W 0.50±0.05 mm
- T 0.50±0.05 mm
- B 0.10 mm min.
- G 0.30 mm min.

### Temperature Characteristic

X7S (-55 to +125 degC, ±22%)

### Rated Voltage

1C (16Vdc)

### Capacitance

330nF

### Capacitance Tolerance

K (±10%)

### DF

7.5 % max.

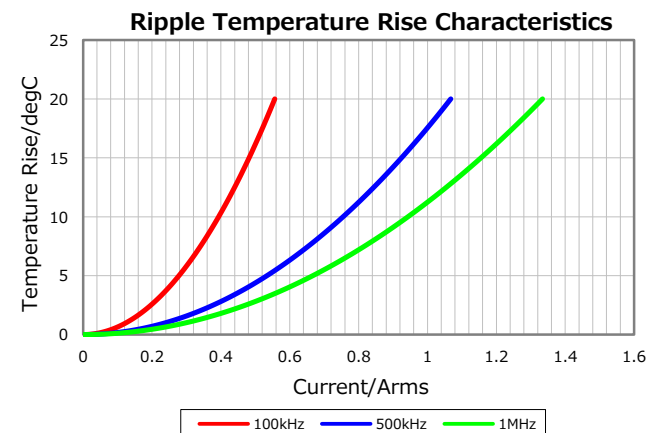
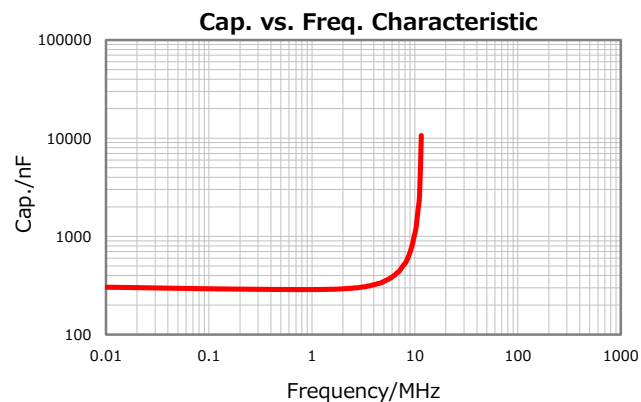
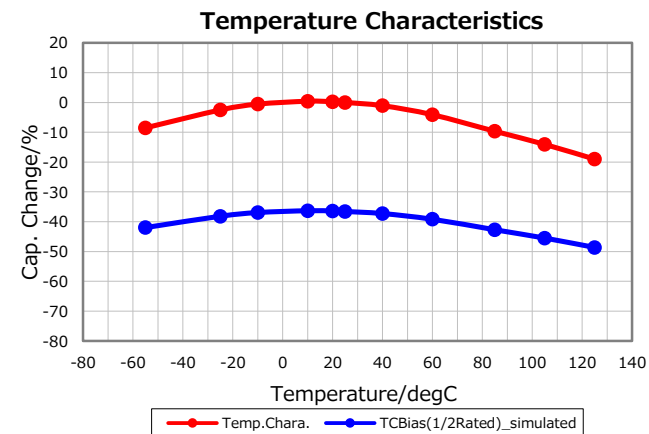
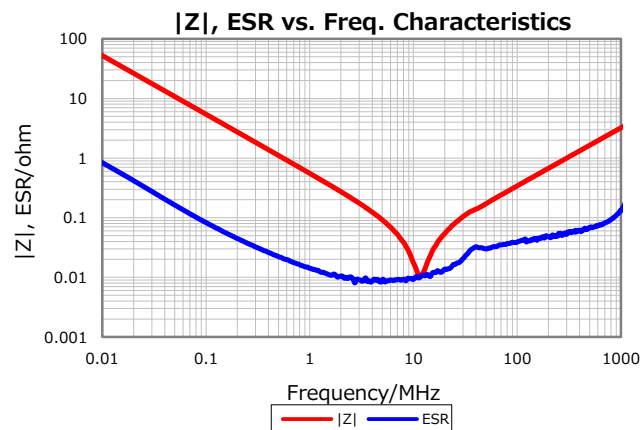
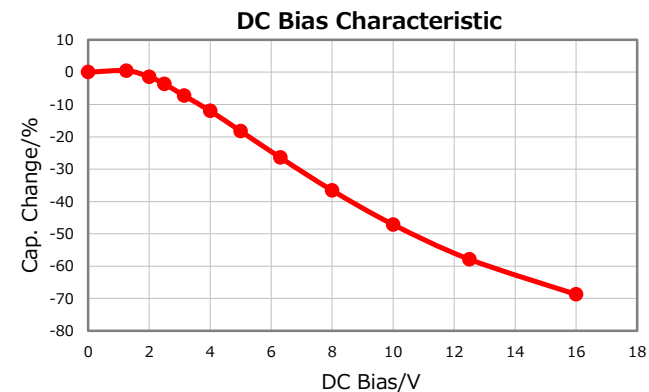
### Insulation Resistance

303 Mohm min.

### AEC-Q200

Yes

Characterization Sheet ( Multilayer Ceramic Chip Capacitors )



All specifications are subject to change without notice.

January 4, 2021