

CGA2B2NP02A271J050BA

TDK Item Description : CGA2B2NP02A271T****



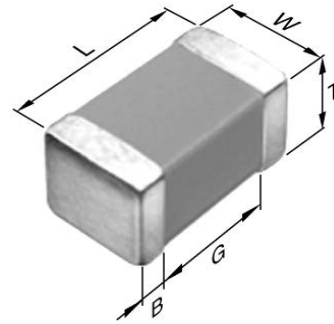
Equivalent C1005NP02A271J for Automotive

Application & Main Feature

Automotive Grade (High Temperature Application)

Series

CGA2(1005) [EIA CC0402]



Dimensions

| | |
|---|------------------|
| L | 1.00mm +/-0.05mm |
| W | 0.50mm +/-0.05mm |
| T | 0.50mm +/-0.05mm |
| B | 0.10mm Min. |
| G | 0.3mm Min. |

Temperature Characteristic

NP0 (-55 to 150 degC 0+/-30ppm/degC)

Rated Voltage

2A (100Vdc)

Capacitance

270pF

Capacitance Tolerance

J (+/-5%)

Q Factor

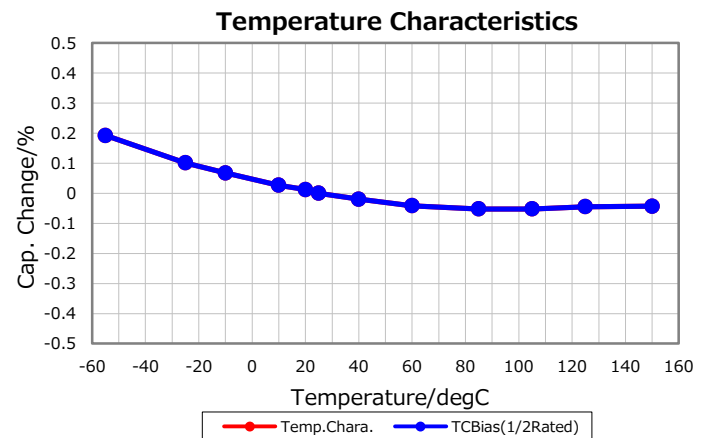
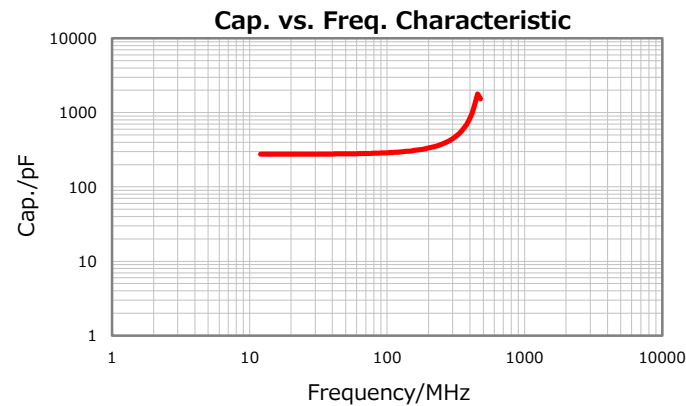
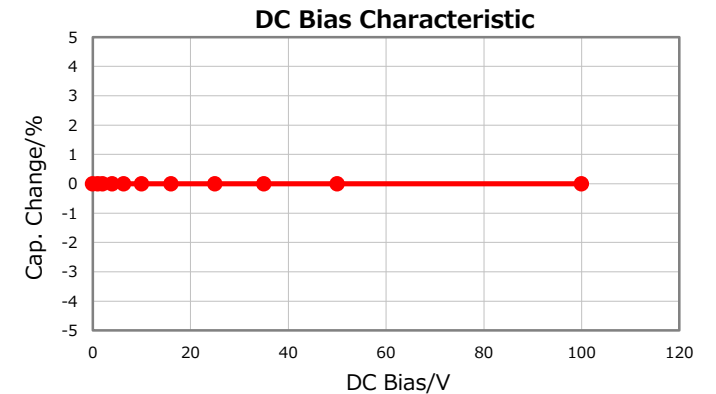
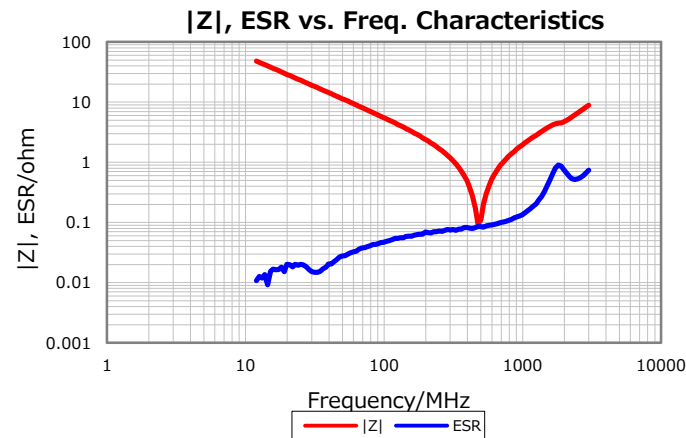
1000 Min.

Insulation Resistance

10Gohm Min

AEC-Q200

Yes



Characterization Sheet (Multilayer Ceramic Chip Capacitors)



All specifications are subject to change without notice.