

# CGA2B2X8R1H331M050BE

TDK Item Description : CGA2B2X8R1H331MT\*\*\*S



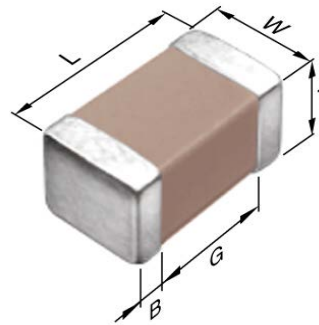
Equivalent C1005X8R1H331M for Automotive

## Application & Main Feature

Automotive Grade ( Soft Termination )

## Series

CGA2(1005) [EIA CC0402]



## Dimensions

L	1.00mm +0.15,-0.05mm
W	0.50mm +0.1,-0.05mm
T	0.50mm +0.1,-0.05mm
B	0.10mm Min.
G	0.30mm Min.

## Temperature Characteristic

X8R (-55 to 150 degC +/-15%)

## Rated Voltage

1H (50Vdc)

## Capacitance

330pF

## Capacitance Tolerance

M (+/-20%)

## Dissipation Factor

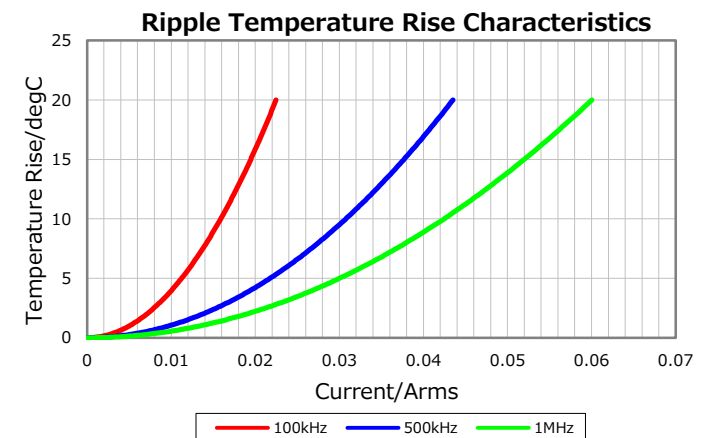
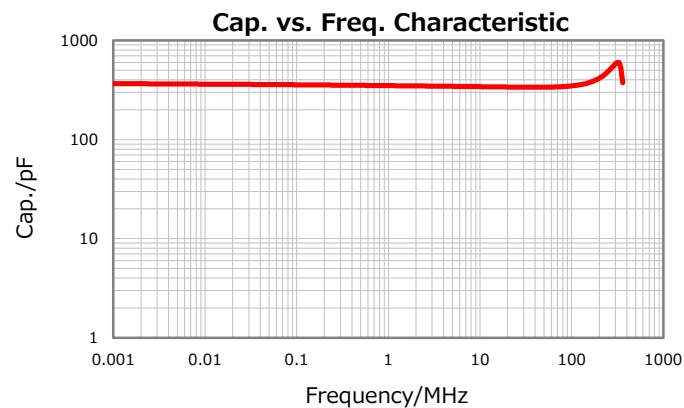
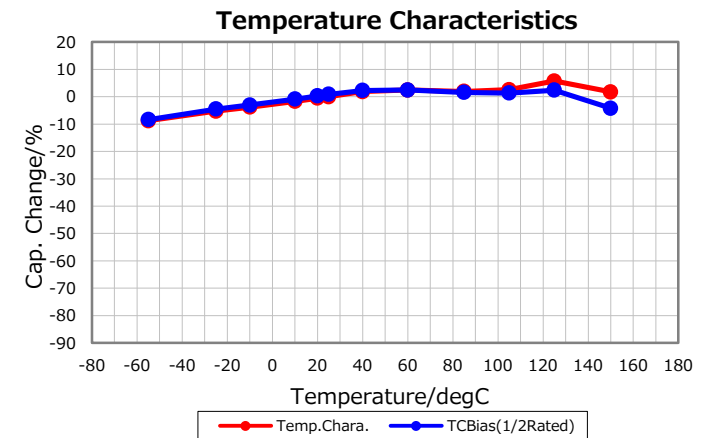
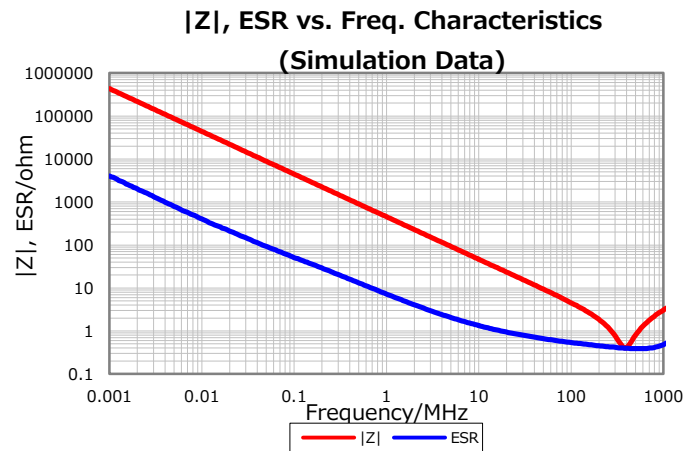
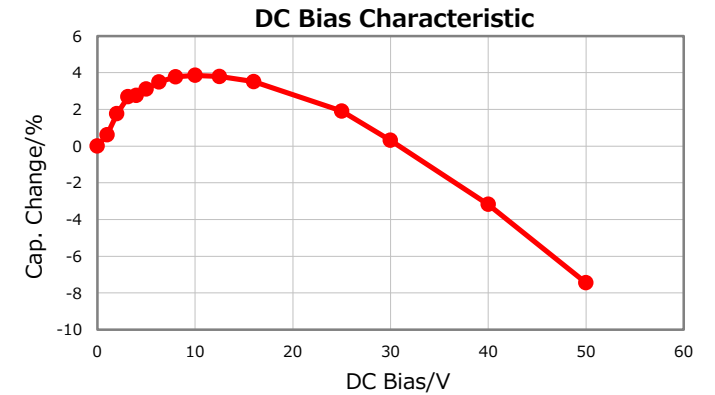
3% Max.

## Insulation Resistance

10Gohm Min

## AEC-Q200

Yes



Characterization Sheet ( Multilayer Ceramic Chip Capacitors )



All specifications are subject to change without notice.

March 16, 2017