

# CGA2B2X8R2A681K050BA

TDK Item Description : CGA2B2X8R2A681KT\*\*\*\*



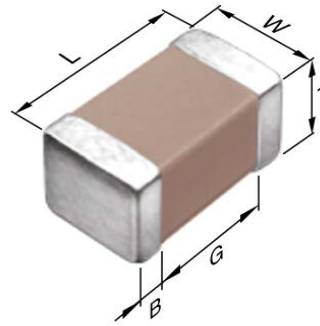
Equivalent C1005X8R2A681K for Automotive

## Application & Main Feature

Automotive Grade ( High Temperature Application )

## Series

CGA2(1005) [EIA 0402]



## Dimensions

L	1.00mm +/-0.05mm
W	0.50mm +/-0.05mm
T	0.50mm +/-0.05mm
B	0.10mm Min.
G	0.30mm Min.

## Temperature Characteristic

X8R (-55 to 150 degC +/-15%)

## Rated Voltage

2A (100Vdc)

## Capacitance

680pF

## Capacitance Tolerance

K (+/-10%)

## Dissipation Factor

3% Max.

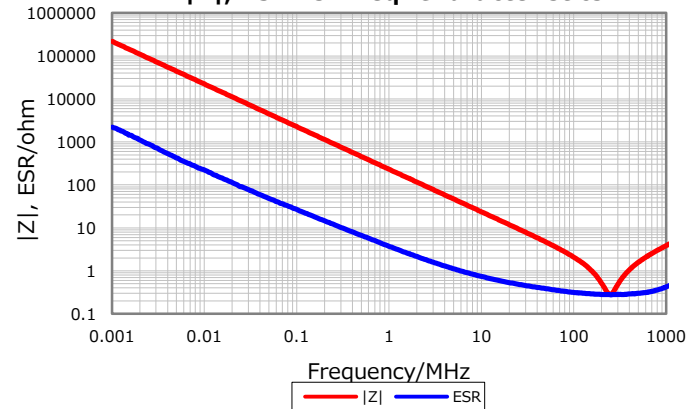
## Insulation Resistance

10Gohm Min

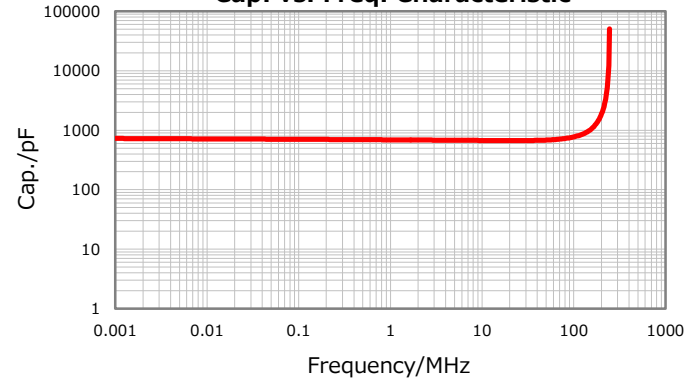
## AEC-Q200

Yes

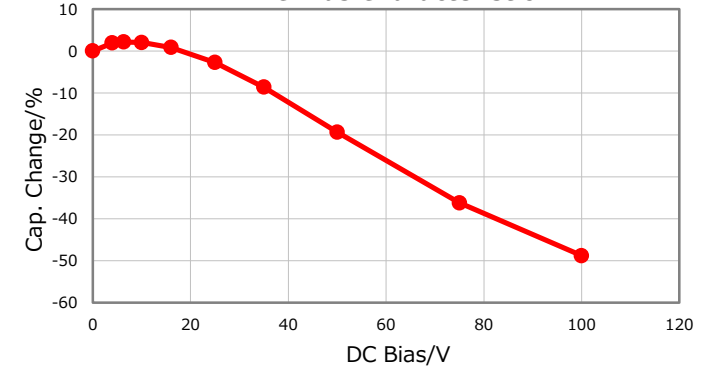
## |Z|, ESR vs. Freq. Characteristics



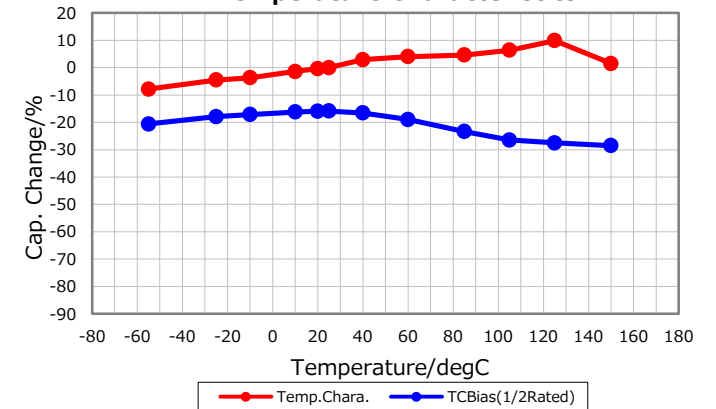
## Cap. vs. Freq. Characteristic



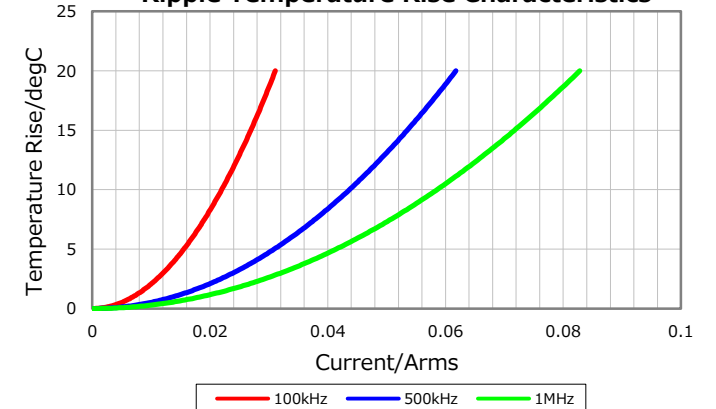
## DC Bias Characteristic



## Temperature Characteristics



## Ripple Temperature Rise Characteristics



Characterization Sheet ( Multilayer Ceramic Chip Capacitors )



All specifications are subject to change without notice.

July 14, 2016