

# CGA2B3X7R0J154K050BB

TDK Item Description : CGA2B3X7R0J154KT\*\*\*



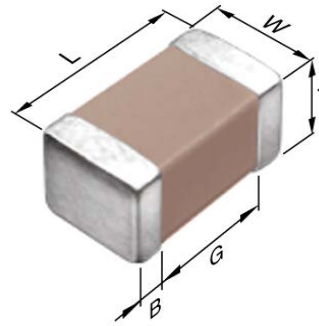
Equivalent C1005X7R0J154K for Automotive

## Application & Main Feature

Automotive Grade ( General (Up to 50V) )

## Series

CGA2(1005) [EIA 0402]



## Dimensions

L	1.00mm +/-0.05mm
W	0.50mm +/-0.05mm
T	0.50mm +/-0.05mm
B	0.10mm Min.
G	0.30mm Min.

## Temperature Characteristic

X7R (-55 to 125 degC +/-15%)

## Rated Voltage

0J (6.3Vdc)

## Capacitance

150nF

## Capacitance Tolerance

K (+/-10%)

## Dissipation Factor

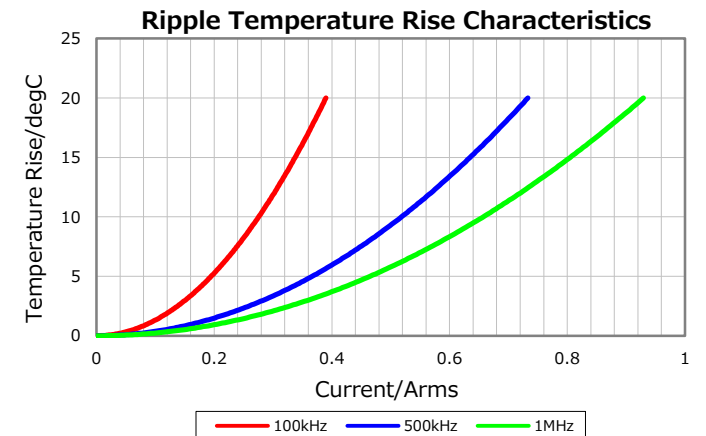
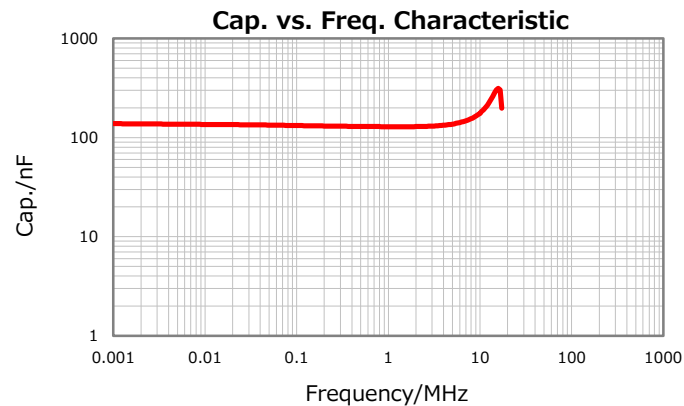
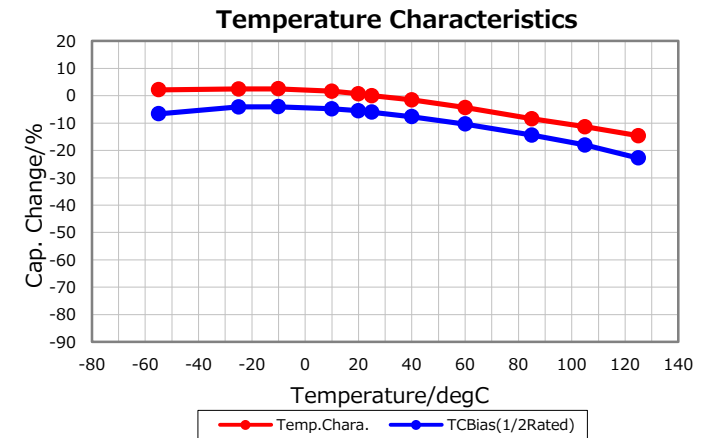
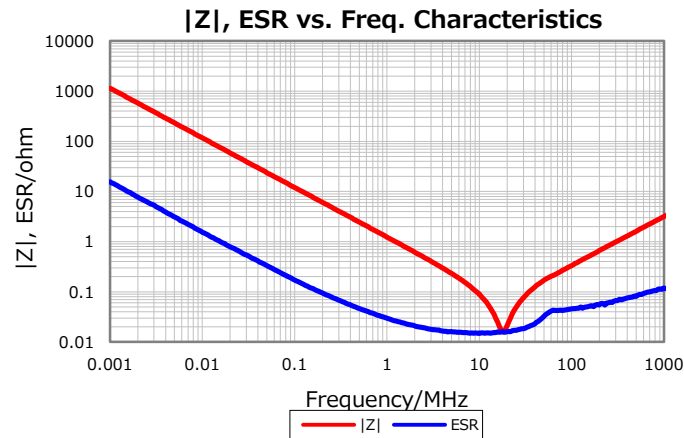
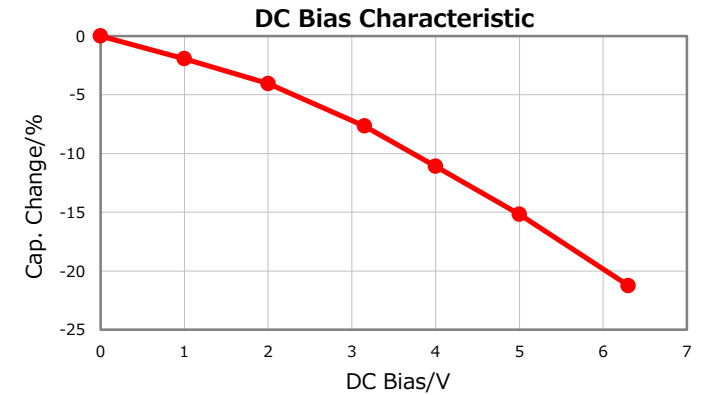
10% Max.

## Insulation Resistance

666Mohm Min.

## AEC-Q200

Yes



Characterization Sheet ( Multilayer Ceramic Chip Capacitors )



All specifications are subject to change without notice.

June 5, 2018