

# CGA2B3X7R1E224K050BE

TDK item description : CGA2B3X7R1E224KT\*\*\*S



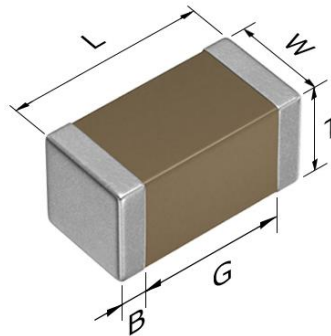
Equivalent C1005X7R1E224K for Automotive

## Application & Main Feature

Automotive grade (Soft termination)

## Series

CGA2(1005) [EIA 0402]



## Dimensions

L 1.00+0.15,-0.05 mm  
 W 0.50+0.10,-0.05 mm  
 T 0.50+0.10,-0.05 mm  
 B 0.10 mm min.  
 G 0.30 mm min.

## Temperature Characteristic

X7R (-55 to +125 degC, ±15%)

## Rated Voltage

1E (25Vdc)

## Capacitance

220nF

## Capacitance Tolerance

K (±10%)

## DF

5 % max.

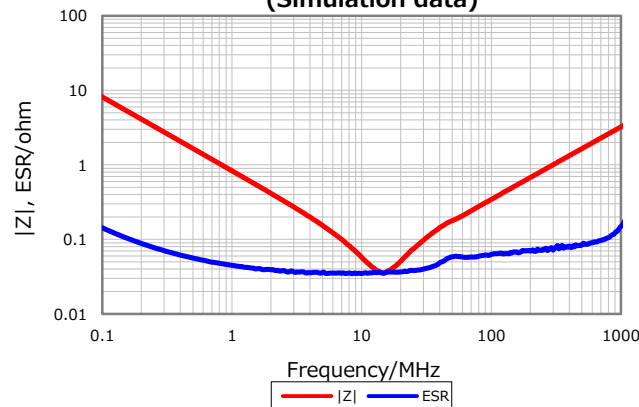
## Insulation Resistance

2272 Mohm min.

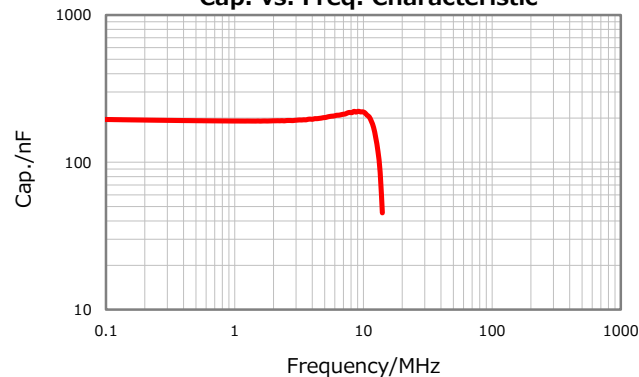
## AEC-Q200

Yes

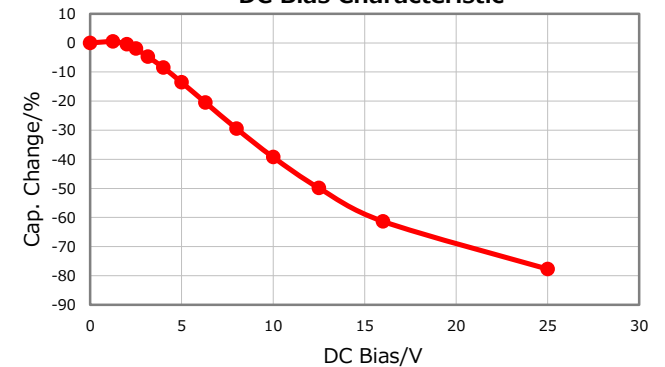
**|Z|, ESR vs. Freq. Characteristics  
(Simulation data)**



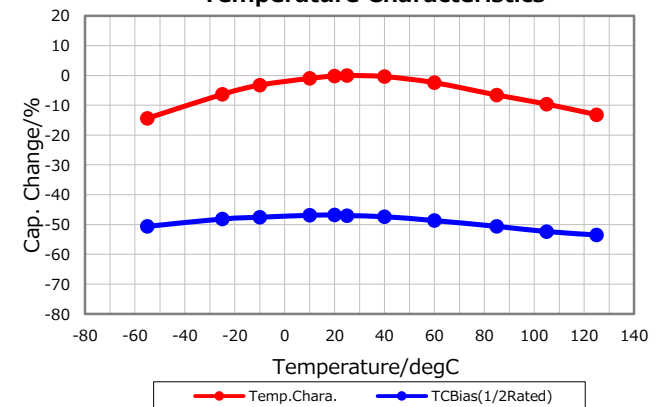
**Cap. vs. Freq. Characteristic**



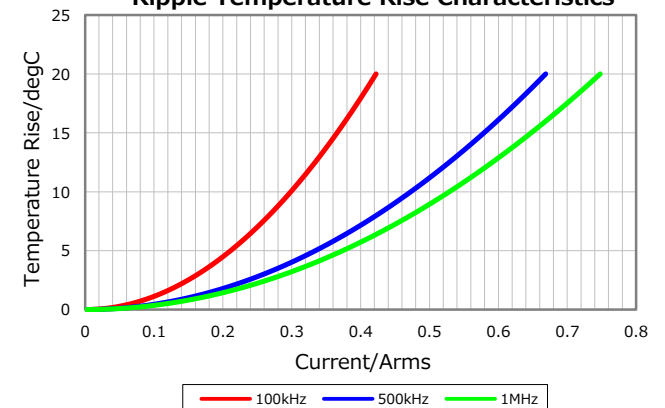
**DC Bias Characteristic**



**Temperature Characteristics**



**Ripple Temperature Rise Characteristics**



Characterization Sheet ( Multilayer Ceramic Chip Capacitors)



⚠ All specifications are subject to change without notice.

January 10, 2021