

CGA3E1X7R1V334M080AD

TDK item description : CGA3E1X7R1V334MT***B



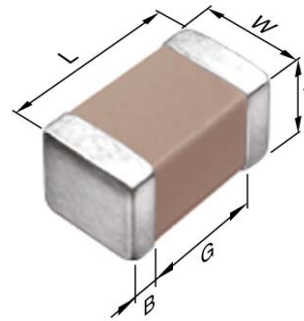
Equivalent C1608X7R1V334M for Automotive

Application & Main Feature

Automotive grade (Conductive epoxy application)

Series

CGA3(1608) [EIA 0603]



Dimensions

L	1.60±0.15 mm
W	0.80±0.15 mm
T	0.80±0.15 mm
B	0.20 mm min.
G	0.30 mm min.

Temperature Characteristic

X7R (-55 to +125 degC, ±15%)

Rated Voltage

1V (35Vdc)

Capacitance

330nF

Capacitance Tolerance

M (±20%)

Dissipation Factor

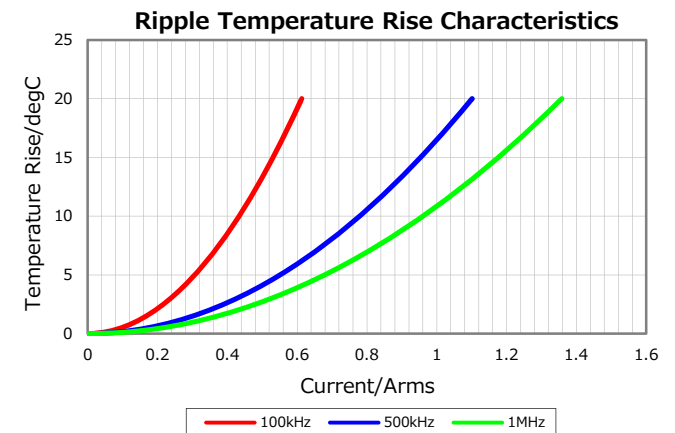
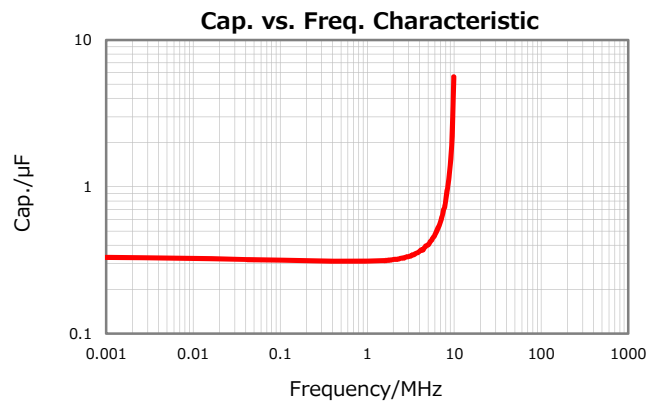
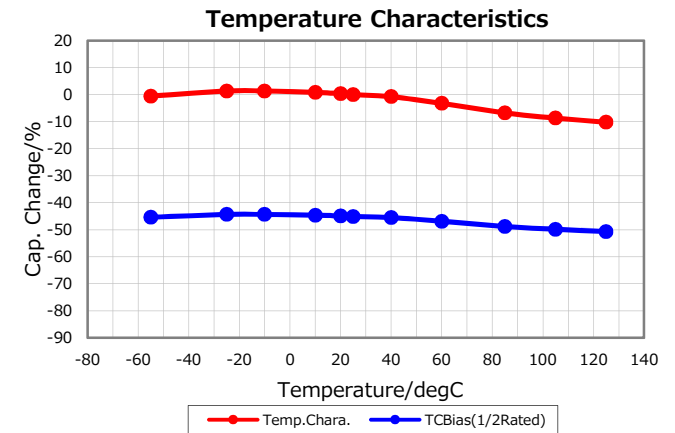
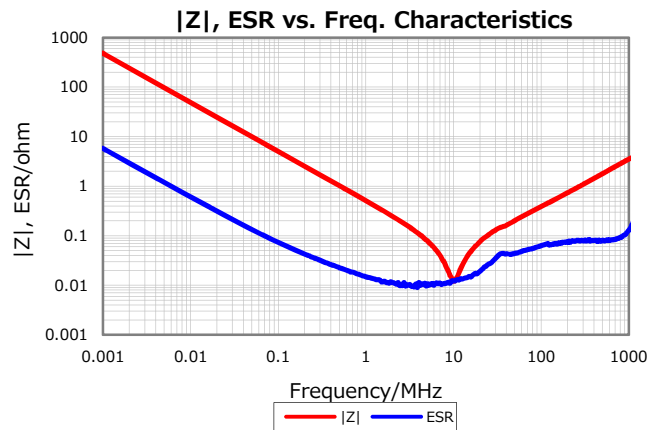
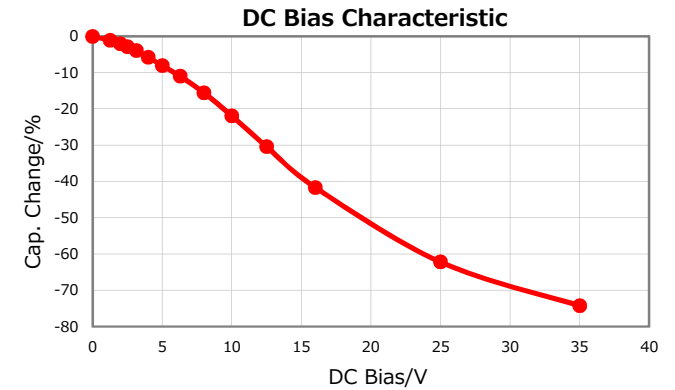
5 % max.

Insulation Resistance

1515 Mohm min.

AEC-Q200

Yes



Characterization Sheet (Multilayer Ceramic Chip Capacitors)



All specifications are subject to change without notice.

January 10, 2020