

# CGA3E1X7S1C225K080AC

TDK item description : CGA3E1X7S1C225KT\*\*\*\*



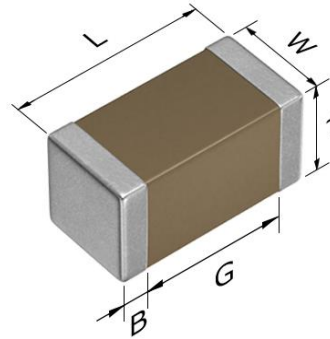
Equivalent C1608X7S1C225K for Automotive

## Application & Main Feature

Automotive grade (General type)

## Series

CGA3(1608) [EIA 0603]



## Dimensions

L 1.60±0.10 mm  
 W 0.80±0.10 mm  
 T 0.80±0.10 mm  
 B 0.20 mm min.  
 G 0.30 mm min.

## Temperature Characteristic

X7S (-55 to +125 degC, ±22%)

## Rated Voltage

1C (16Vdc)

## Capacitance

2.2µF

## Capacitance Tolerance

K (±10%)

## DF

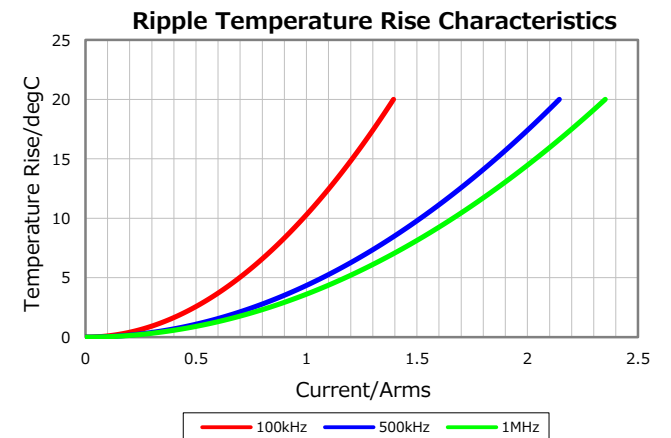
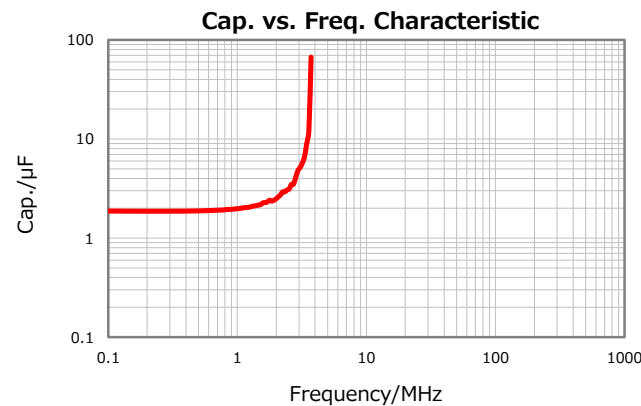
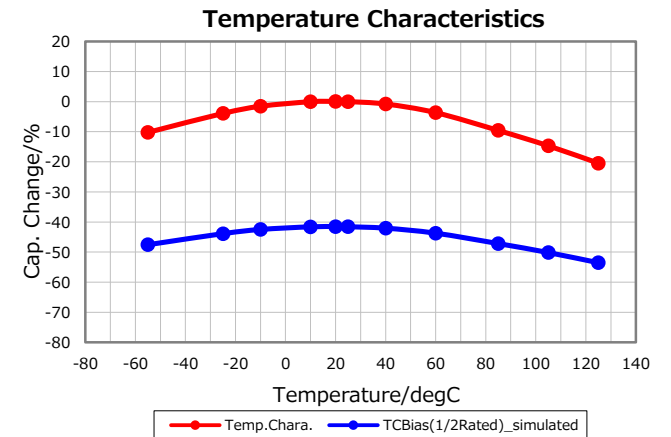
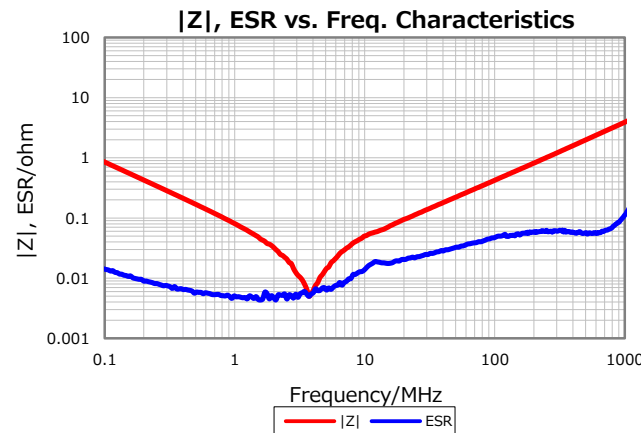
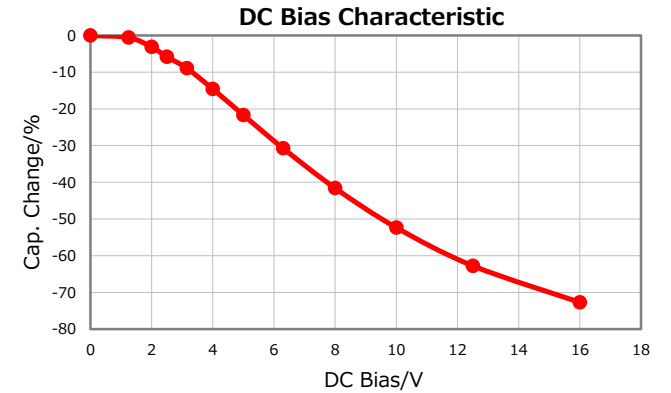
7.5 % max.

## Insulation Resistance

45 Mohm min.

## AEC-Q200

Yes



Characterization Sheet ( Multilayer Ceramic Chip Capacitors )



⚠ All specifications are subject to change without notice.

January 10, 2021