

# CGA3E1X7T0J106M080AC

TDK item description : CGA3E1X7T0J106MT\*\*\*\*



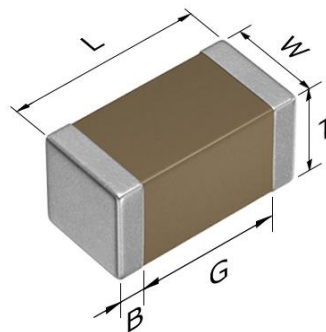
Equivalent C1608X7T0J106M for Automotive

## Application & Main Feature

Automotive grade (General type)

## Series

CGA3(1608) [EIA 0603]



## Dimensions

L	1.60+0.30,-0.10 mm
W	0.80+0.30,-0.10 mm
T	0.80+0.30,-0.10 mm
B	0.20 mm min.
G	0.30 mm min.

## Temperature Characteristic

X7T (-55 to +125 degC, +22/-33%)

## Rated Voltage

0J (6.3Vdc)

## Capacitance

10 $\mu$ F

## Capacitance Tolerance

M ( $\pm$ 20%)

## DF

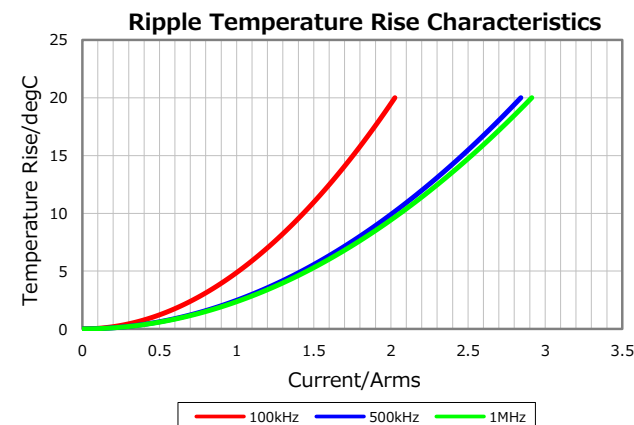
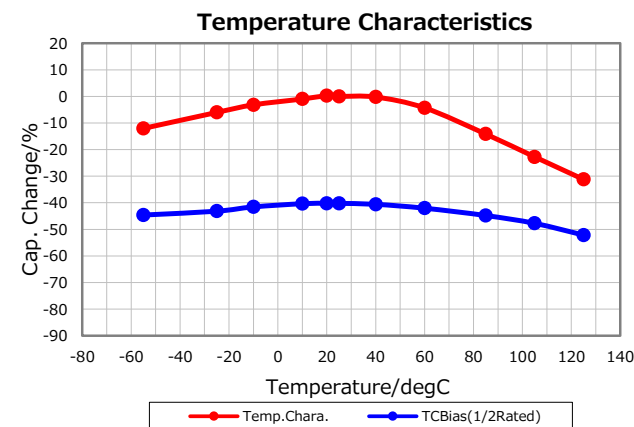
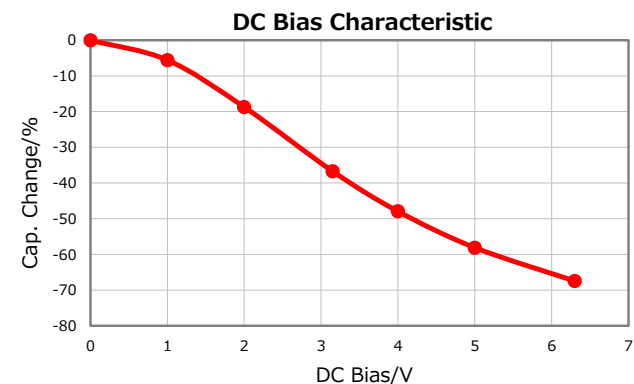
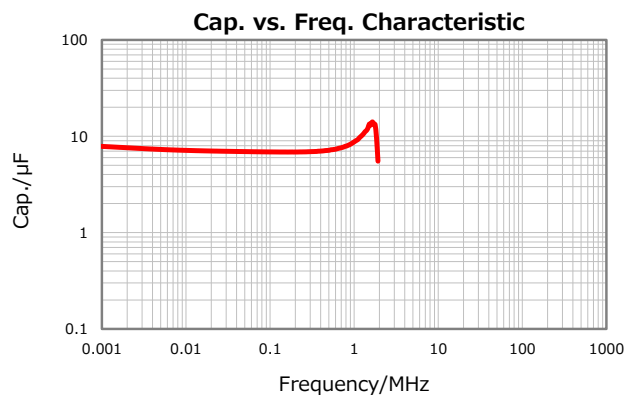
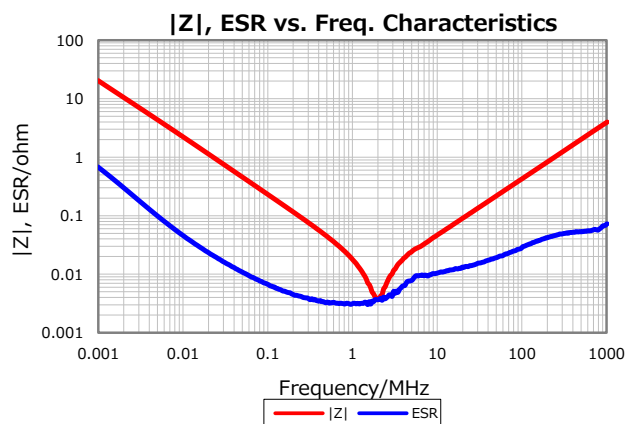
10 % max.

## Insulation Resistance

10 Mohm min.

## AEC-Q200

Yes



Characterization Sheet (Multilayer Ceramic Chip Capacitors)



All specifications are subject to change without notice.

September 7, 2021