

# CGA3E2X8R2A102K080AE

TDK Item Description : CGA3E2X8R2A102KT\*\*\*S



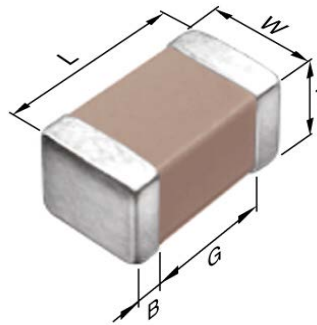
Equivalent C1608X8R2A102K for Automotive

## Application & Main Feature

Automotive Grade ( Soft Termination )

## Series

CGA3(1608) [EIA CC0603]



## Dimensions

|   |                     |
|---|---------------------|
| L | 1.60mm +0.2,-0.1mm  |
| W | 0.80mm +0.15,-0.1mm |
| T | 0.80mm +0.15,-0.1mm |
| B | 0.20mm Min.         |
| G | 0.30mm Min.         |

## Temperature Characteristic

X8R (-55 to 150 degC +/-15%)

## Rated Voltage

2A (100Vdc)

## Capacitance

1nF

## Capacitance Tolerance

K (+/-10%)

## Dissipation Factor

3% Max.

## Insulation Resistance

10Gohm Min

## AEC-Q200

Yes

