

# CGA3E3X7R1E334M080AB

TDK item description : CGA3E3X7R1E334MT\*\*\*\*



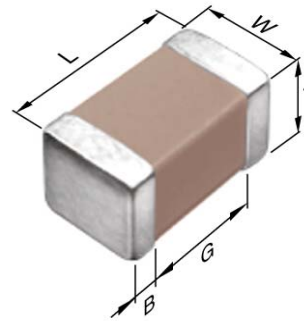
Equivalent C1608X7R1E334M for Automotive

## Application & Main Feature

Automotive grade (General type)

## Series

CGA3(1608) [EIA 0603]



## Dimensions

L 1.60±0.10 mm  
 W 0.80±0.10 mm  
 T 0.80±0.10 mm  
 B 0.20 mm min.  
 G 0.30 mm min.

## Temperature Characteristic

X7R (-55 to +125 degC, ±15%)

## Rated Voltage

1E (25Vdc)

## Capacitance

330nF

## Capacitance Tolerance

M (±20%)

## Dissipation Factor

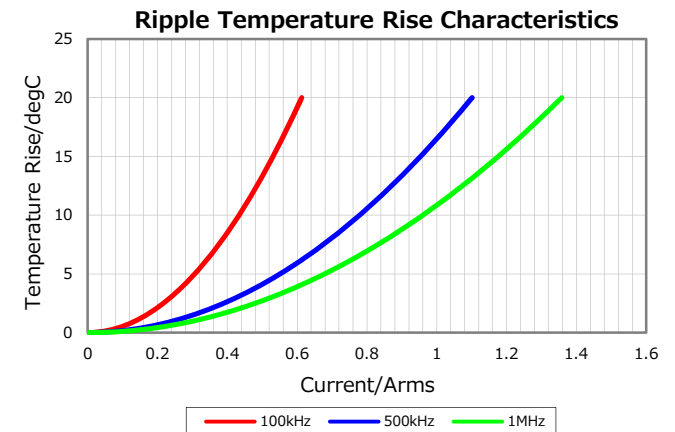
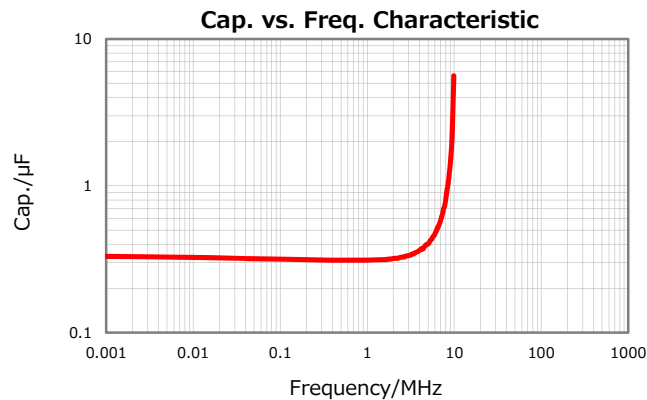
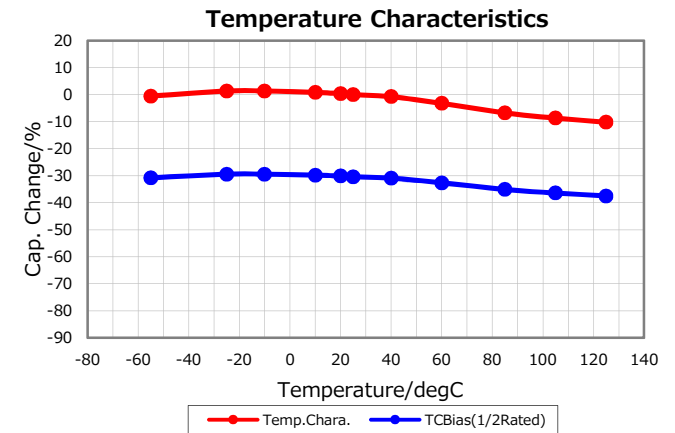
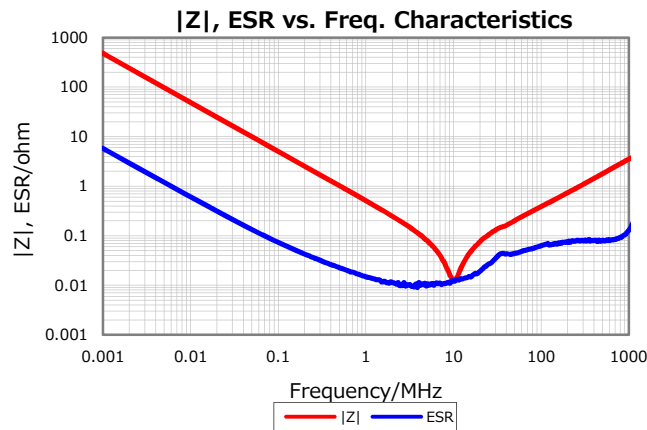
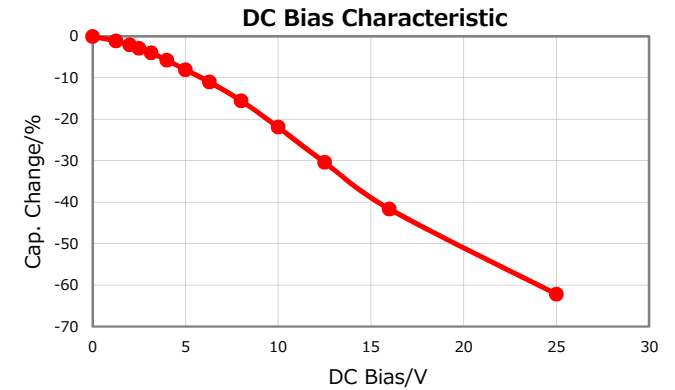
5 % max.

## Insulation Resistance

1515 Mohm min.

## AEC-Q200

Yes



Characterization Sheet ( Multilayer Ceramic Chip Capacitors)



All specifications are subject to change without notice.

January 10, 2020