

# CGA4J1X7S1C685M125AC

TDK item description : CGA4J1X7S1C685MT\*\*\*



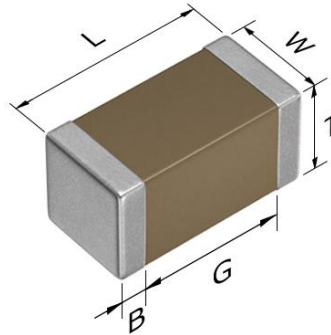
Equivalent C2012X7S1C685M for Automotive

## Application & Main Feature

Automotive grade (General type)

## Series

CGA4(2012) [EIA 0805]



## Dimensions

L 2.00±0.20 mm  
 W 1.25±0.20 mm  
 T 1.25±0.20 mm  
 B 0.20 mm min.  
 G 0.50 mm min.

## Temperature Characteristic

X7S (-55 to +125 degC, ±22%)

## Rated Voltage

1C (16Vdc)

## Capacitance

6.8µF

## Capacitance Tolerance

M (±20%)

## DF

7.5 % max.

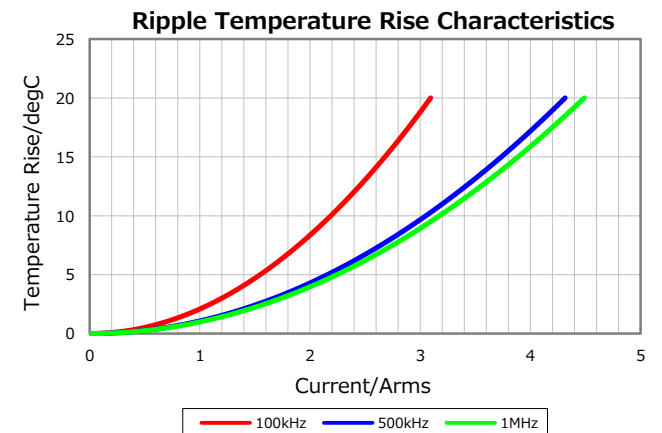
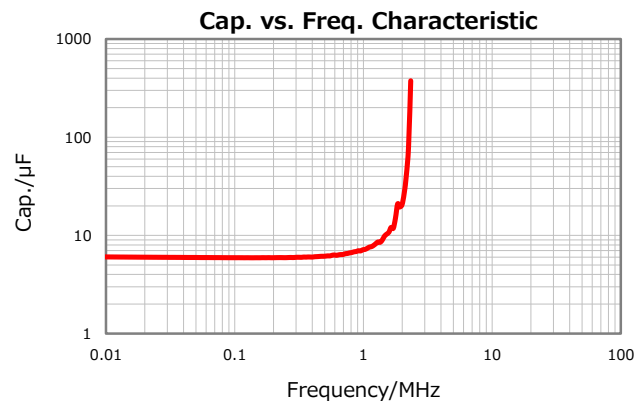
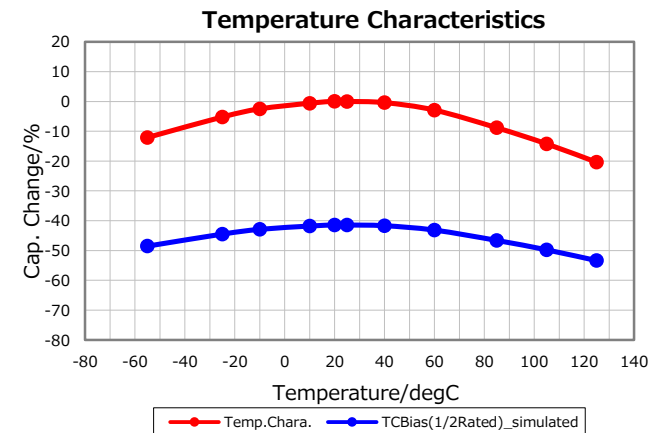
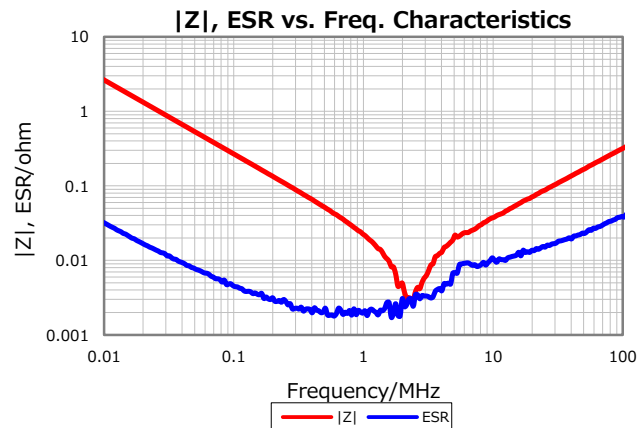
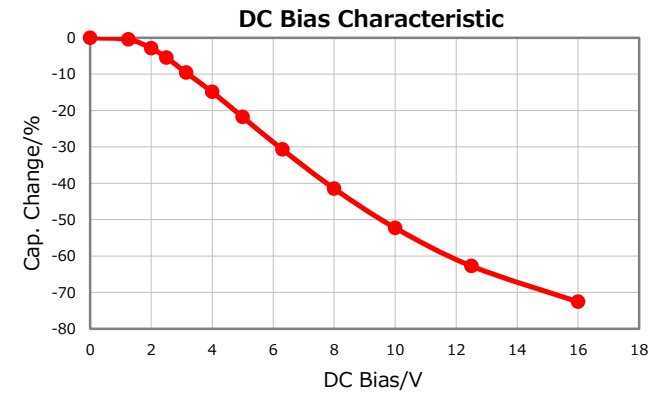
## Insulation Resistance

14 Mohm min.

## AEC-Q200

Yes

Characterization Sheet ( Multilayer Ceramic Chip Capacitors )



⚠ All specifications are subject to change without notice.

January 15, 2021