

CGA4J1X7S1E106K125AE

TDK item description : CGA4J1X7S1E106KT***S



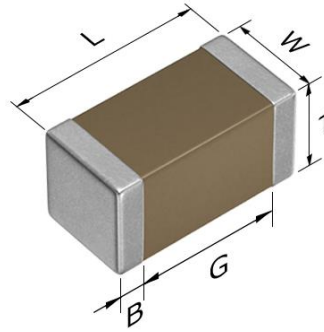
Equivalent C2012X7S1E106K for Automotive

Application & Main Feature

Automotive grade (Soft termination)

Series

CGA4(2012) [EIA 0805]



Dimensions

| | |
|---|--------------------|
| L | 2.00+0.45,-0.20 mm |
| W | 1.25+0.25,-0.20 mm |
| T | 1.25+0.25,-0.20 mm |
| B | 0.20 mm min. |
| G | 0.50 mm min. |

Temperature Characteristic

X7S (-55 to +125 degC, ±22%)

Rated Voltage

1E (25Vdc)

Capacitance

10µF

Capacitance Tolerance

K (±10%)

DF

7.5 % max.

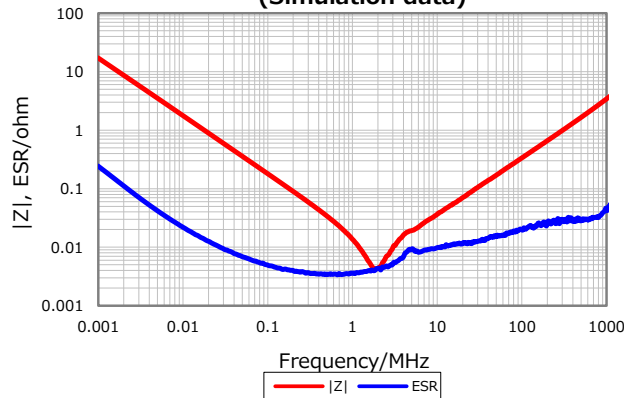
Insulation Resistance

50 Mohm min.

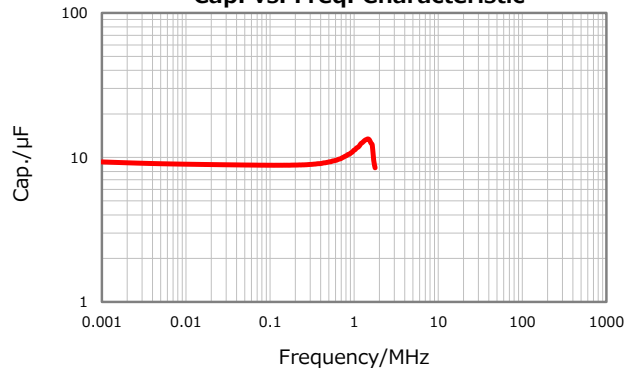
AEC-Q200

Yes

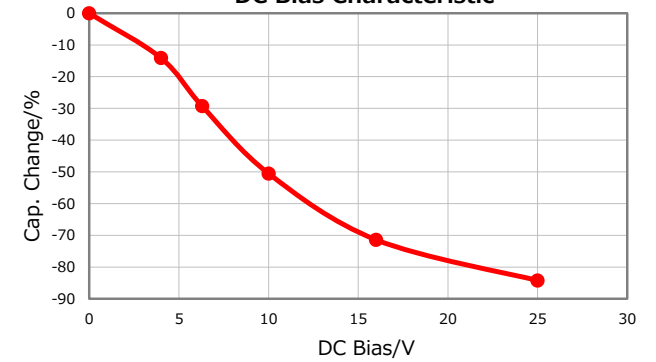
|Z|, ESR vs. Freq. Characteristics
(Simulation data)



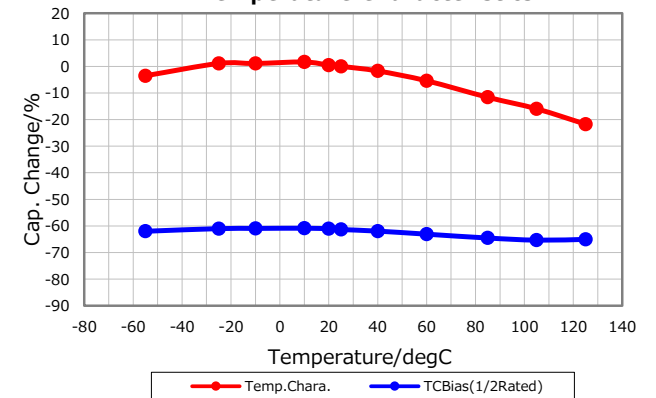
Cap. vs. Freq. Characteristic



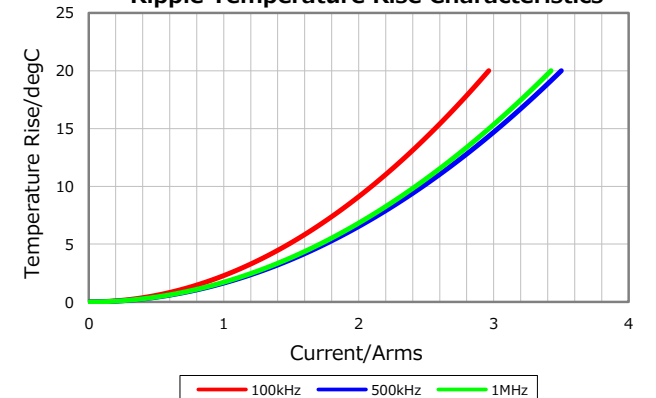
DC Bias Characteristic



Temperature Characteristics



Ripple Temperature Rise Characteristics



Characterization Sheet (Multilayer Ceramic Chip Capacitors)



All specifications are subject to change without notice.

October 20, 2021