

# CGA4J1X8R1E684M125AC

TDK Item Description : CGA4J1X8R1E684MT\*\*\*\*



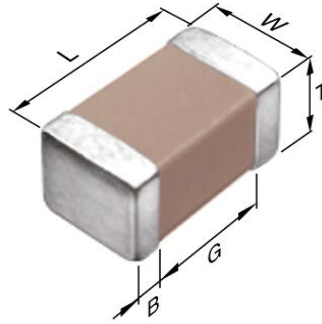
Equivalent C2012X8R1E684M for Automotive

## Application & Main Feature

Automotive Grade ( High Temperature Application )

## Series

CGA4(2012) [EIA 0805]



## Dimensions

L	2.00mm +/-0.2mm
W	1.25mm +/-0.2mm
T	1.25mm +/-0.2mm
B	0.20mm Min.
G	0.50mm Min.

## Temperature Characteristic

X8R (-55 to 150 deg +/-15%)

## Rated Voltage

1E (25Vdc)

## Capacitance

680nF

## Capacitance Tolerance

M (+/-20%)

## Dissipation Factor

5% Max.

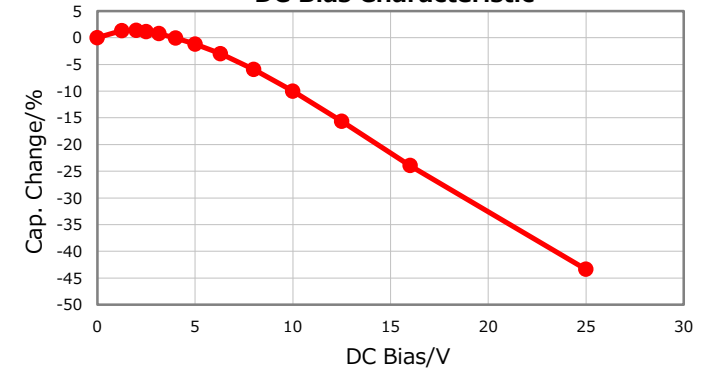
## Insulation Resistance

735Mohm Min.

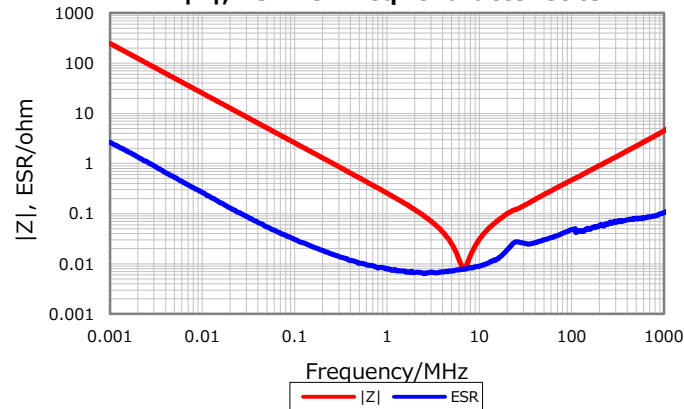
## AEC-Q200

Yes

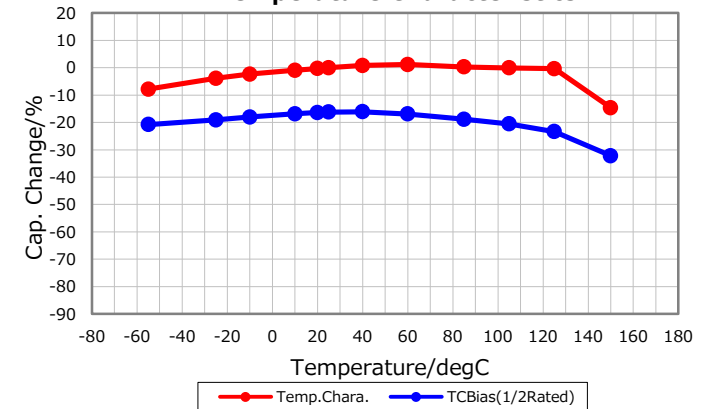
## DC Bias Characteristic



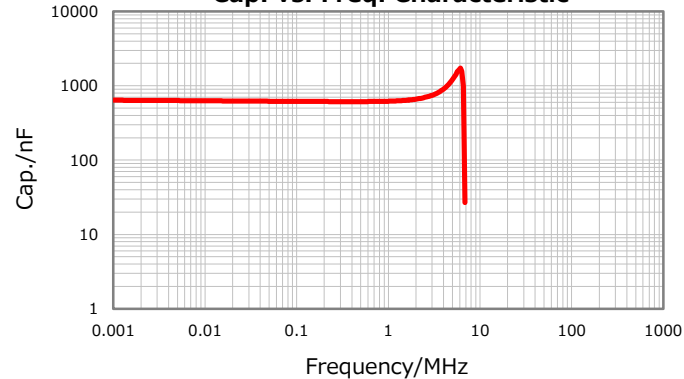
## |Z|, ESR vs. Freq. Characteristics



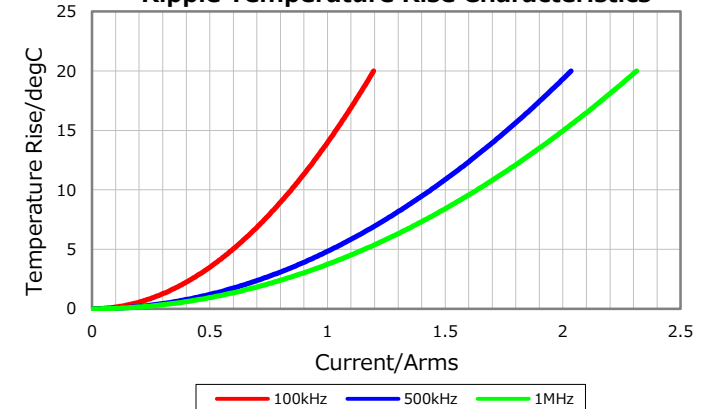
## Temperature Characteristics



## Cap. vs. Freq. Characteristic



## Ripple Temperature Rise Characteristics



Characterization Sheet ( Multilayer Ceramic Chip Capacitors )



All specifications are subject to change without notice.

June 5, 2018