

# CGA4J3X7R1E225K125AE

TDK Item Description : CGA4J3X7R1E225KT\*\*\*S



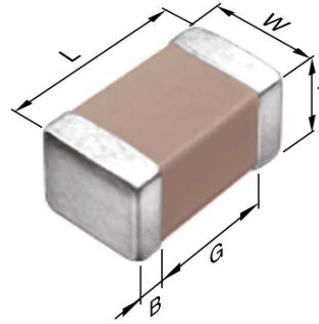
Equivalent C2012X7R1E225K for Automotive

## Application & Main Feature

Automotive Grade ( Soft Termination )

## Series

CGA4(2012) [EIA CC0805]



## Dimensions

|   |                     |
|---|---------------------|
| L | 2.00mm +0.45,-0.2mm |
| W | 1.25mm +0.25,-0.2mm |
| T | 1.25mm +0.25,-0.2mm |
| B | 0.20mm Min.         |
| G | 0.50mm Min.         |

## Temperature Characteristic

X7R (-55 to 125 degC +/-15%)

## Rated Voltage

1E (25Vdc)

## Capacitance

2.2uF

## Capacitance Tolerance

K (+/-10%)

## Dissipation Factor

5% Max.

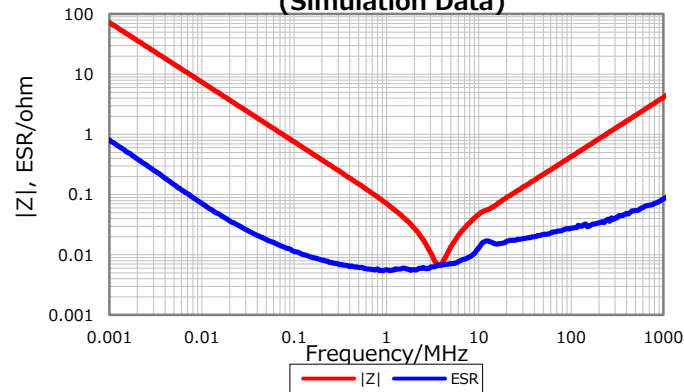
## Insulation Resistance

227Mohm Min.

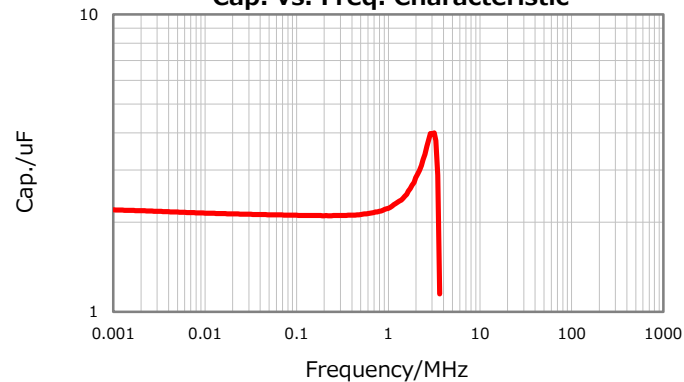
## AEC-Q200

Yes

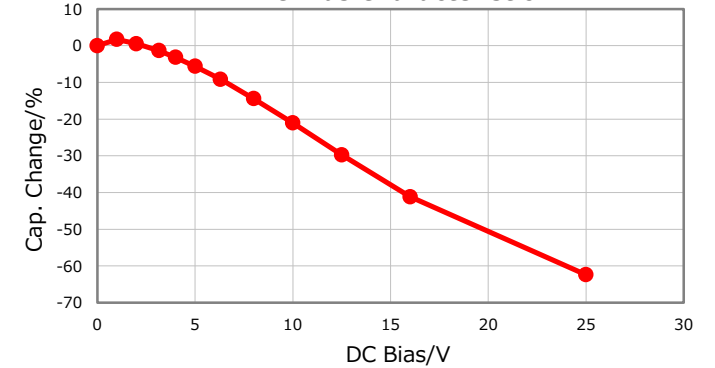
**|Z|, ESR vs. Freq. Characteristics (Simulation Data)**



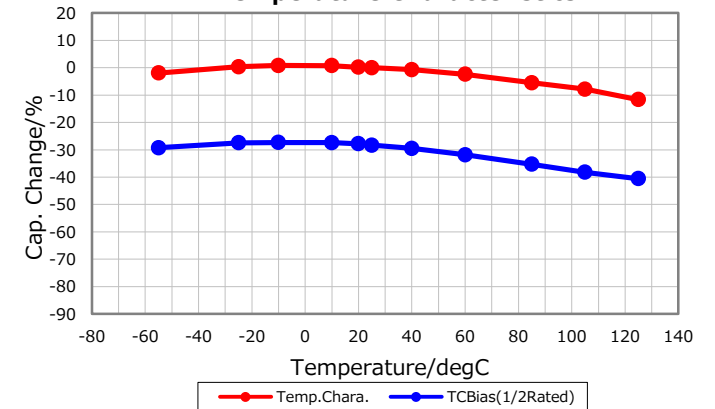
**Cap. vs. Freq. Characteristic**



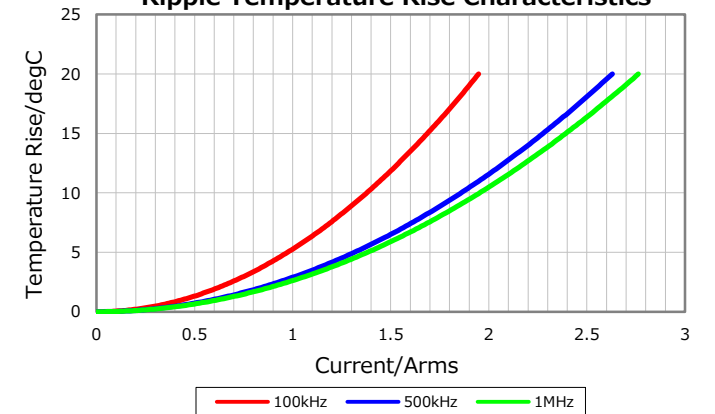
**DC Bias Characteristic**



**Temperature Characteristics**



**Ripple Temperature Rise Characteristics**



Characterization Sheet ( Multilayer Ceramic Chip Capacitors )



All specifications are subject to change without notice.

March 17, 2017