

CGA4J3X7R1H474K125AE

TDK item description : CGA4J3X7R1H474KT***S



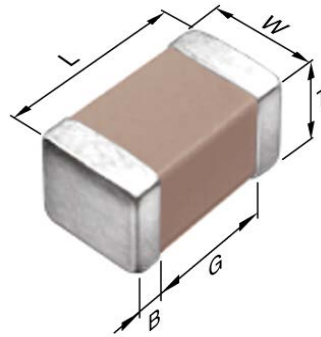
Equivalent C2012X7R1H474K for Automotive

Application & Main Feature

Automotive grade (Soft termination)

Series

CGA4(2012) [EIA 0805]



Dimensions

- L 2.00+0.45/+0.20 mm
- W 1.25+0.25/+0.20 mm
- T 1.25+0.25/+0.20 mm
- B 0.20 mm min.
- G 0.50 mm min.

Temperature Characteristic

X7R (-55 to +125 degC, ±15%)

Rated Voltage

1H (50Vdc)

Capacitance

470nF

Capacitance Tolerance

K (±10%)

Dissipation Factor

5 % max.

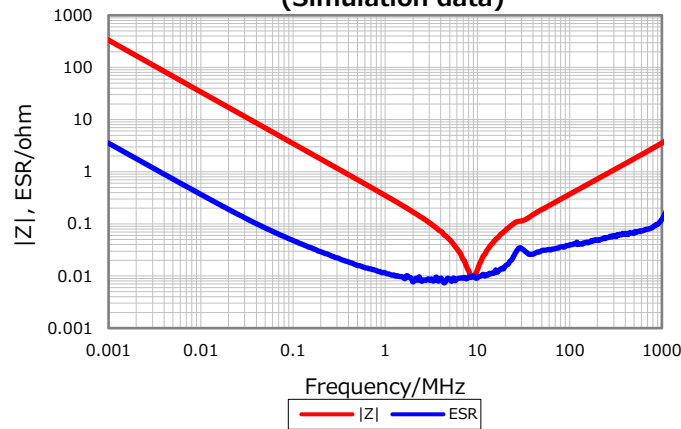
Insulation Resistance

1063 Mohm min.

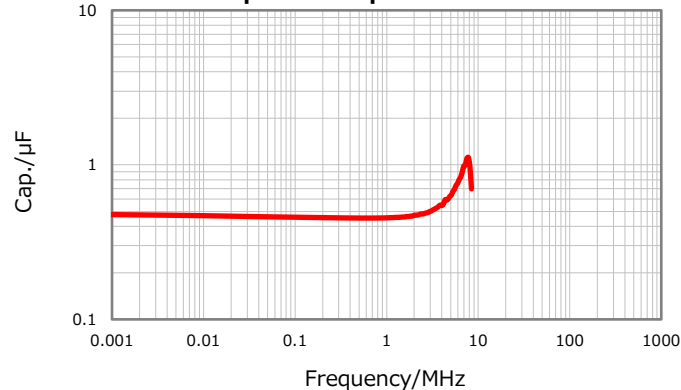
AEC-Q200

Yes

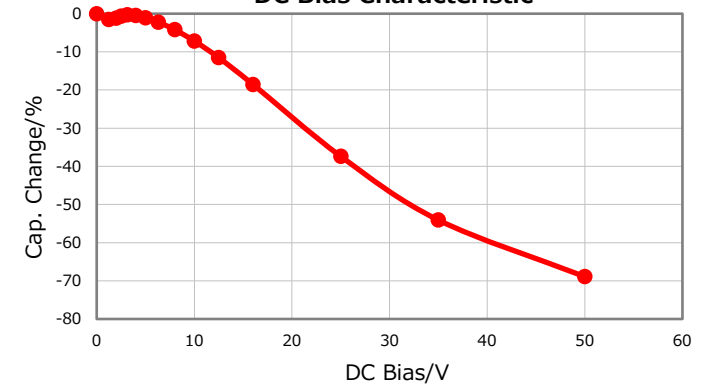
**|Z|, ESR vs. Freq. Characteristics
(Simulation data)**



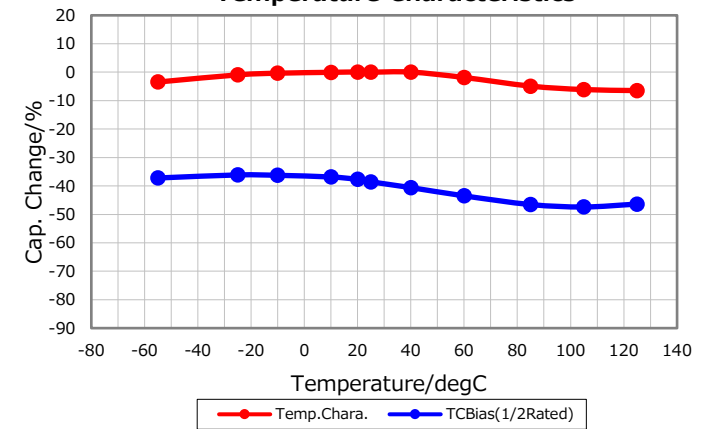
Cap. vs. Freq. Characteristic



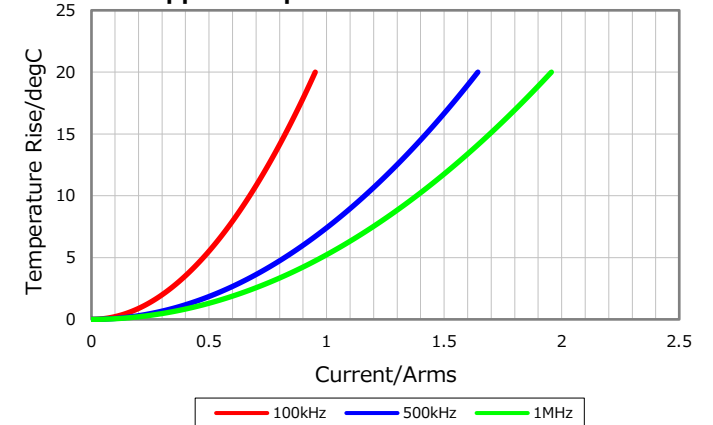
DC Bias Characteristic



Temperature Characteristics



Ripple Temperature Rise Characteristics



Characterization Sheet (Multilayer Ceramic Chip Capacitors)



All specifications are subject to change without notice.

January 12, 2020