

CGA4J3X7R1H474M125AB

TDK item description : CGA4J3X7R1H474MT***



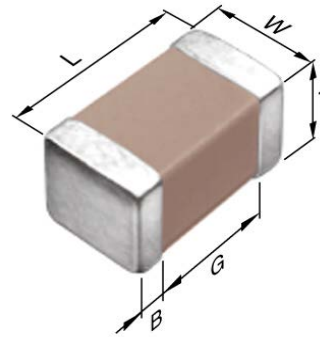
Equivalent C2012X7R1H474M for Automotive

Application & Main Feature

Automotive grade (General type)

Series

CGA4(2012) [EIA 0805]



Dimensions

- L 2.00±0.20 mm
- W 1.25±0.20 mm
- T 1.25±0.20 mm
- B 0.20 mm min.
- G 0.50 mm min.

Temperature Characteristic

X7R (-55 to +125 degC, ±15%)

Rated Voltage

1H (50Vdc)

Capacitance

470nF

Capacitance Tolerance

M (±20%)

Dissipation Factor

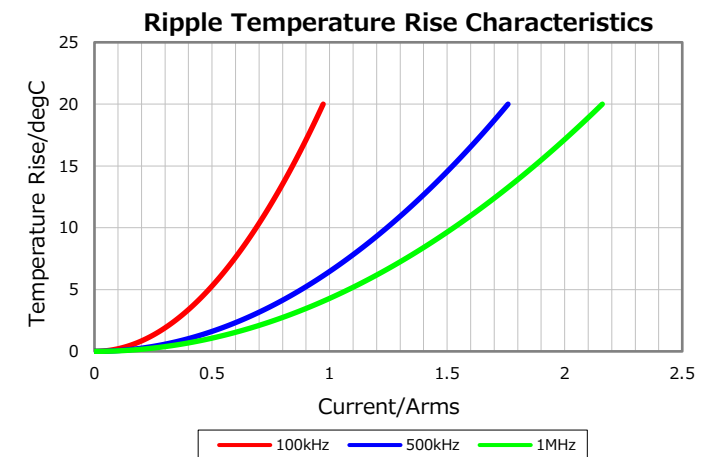
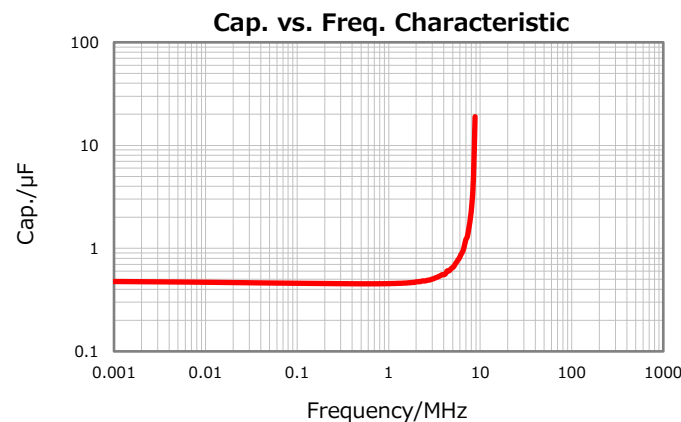
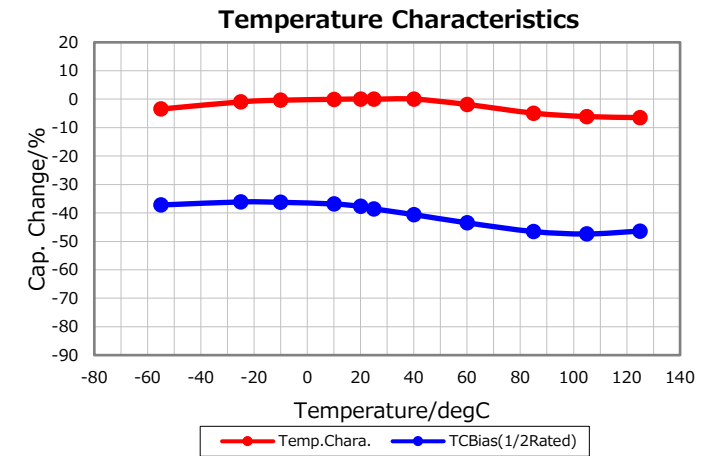
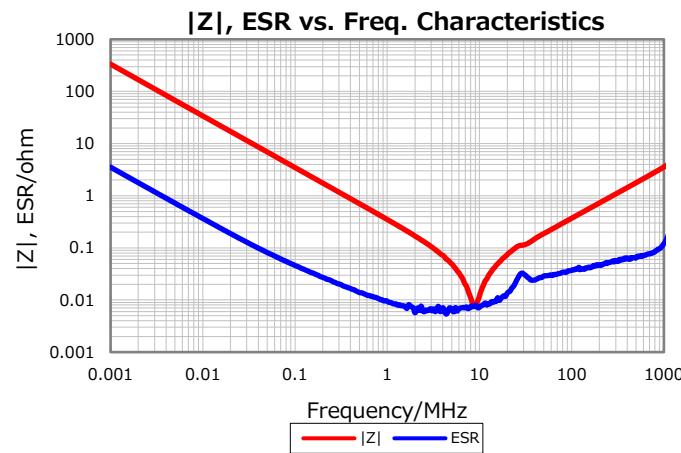
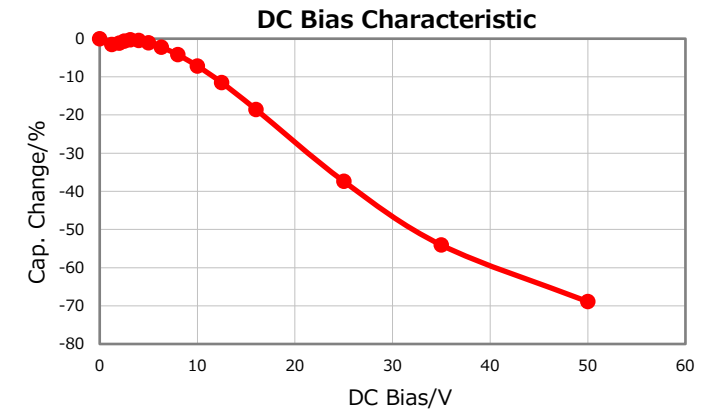
5 % max.

Insulation Resistance

1063 Mohm min.

AEC-Q200

Yes



Characterization Sheet (Multilayer Ceramic Chip Capacitors)



All specifications are subject to change without notice.

January 12, 2020