

# CGA4J3X7R1V105K125AE

TDK item description : CGA4J3X7R1V105KT\*\*\*S



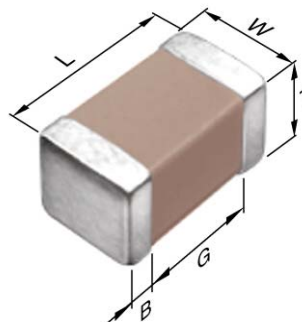
Equivalent C2012X7R1V105K for Automotive

## Application & Main Feature

Automotive grade (Soft termination)

## Series

CGA4(2012) [EIA 0805]



## Dimensions

- L 2.00+0.45/-0.20 mm
- W 1.25+0.25/-0.20 mm
- T 1.25+0.25/-0.20 mm
- B 0.20 mm min.
- G 0.50 mm min.

## Temperature Characteristic

X7R (-55 to +125 degC, ±15%)

## Rated Voltage

1V (35Vdc)

## Capacitance

1µF

## Capacitance Tolerance

K (±10%)

## Dissipation Factor

5 % max.

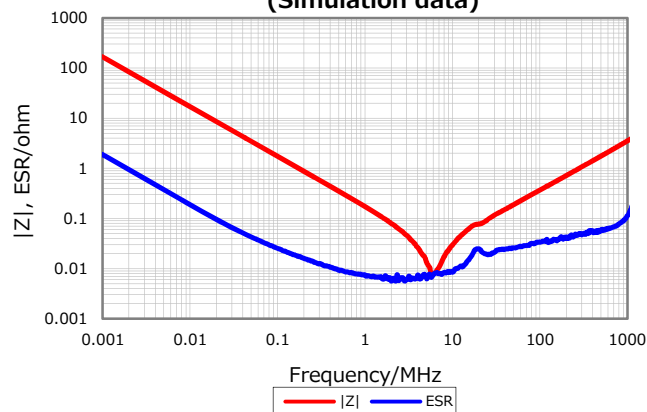
## Insulation Resistance

500 Mohm min.

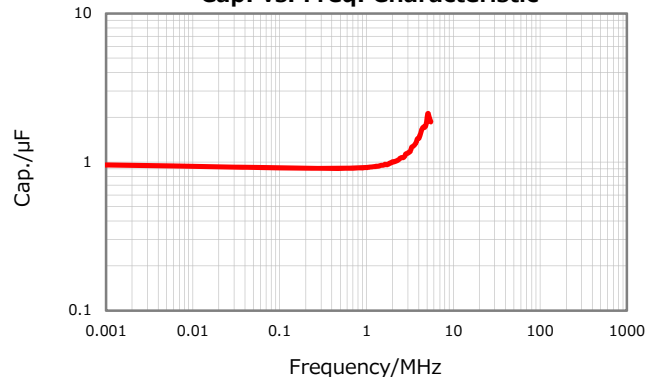
## AEC-Q200

Yes

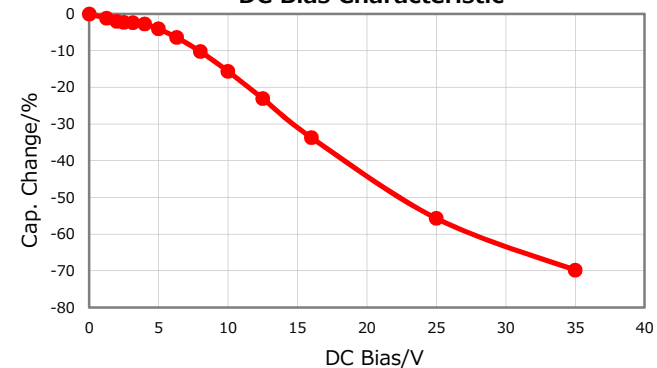
**|Z|, ESR vs. Freq. Characteristics (Simulation data)**



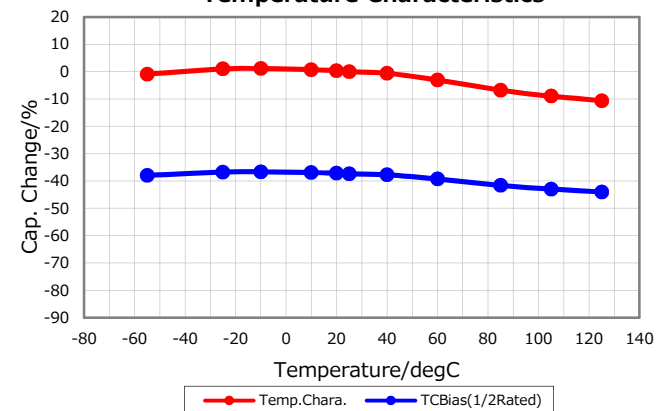
**Cap. vs. Freq. Characteristic**



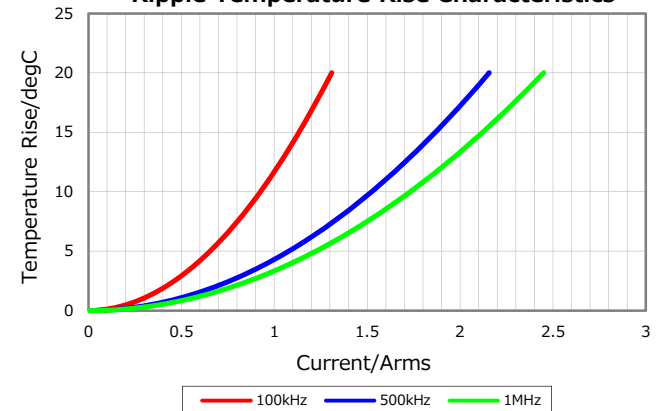
**DC Bias Characteristic**



**Temperature Characteristics**



**Ripple Temperature Rise Characteristics**



Characterization Sheet (Multilayer Ceramic Chip Capacitors)



All specifications are subject to change without notice.

January 13, 2020