

# CGA4J3X7R1V105M125AB

TDK item description : CGA4J3X7R1V105MT\*\*\*\*



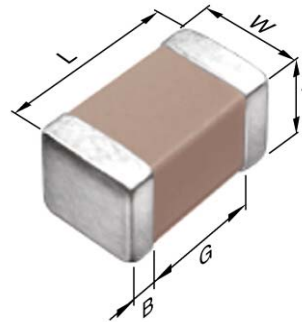
Equivalent C2012X7R1V105M for Automotive

## Application & Main Feature

Automotive grade (General type)

## Series

CGA4(2012) [EIA 0805]



## Dimensions

|   |              |
|---|--------------|
| L | 2.00±0.20 mm |
| W | 1.25±0.20 mm |
| T | 1.25±0.20 mm |
| B | 0.20 mm min. |
| G | 0.50 mm min. |

## Temperature Characteristic

X7R (-55 to +125 degC, ±15%)

## Rated Voltage

1V (35Vdc)

## Capacitance

1µF

## Capacitance Tolerance

M (±20%)

## Dissipation Factor

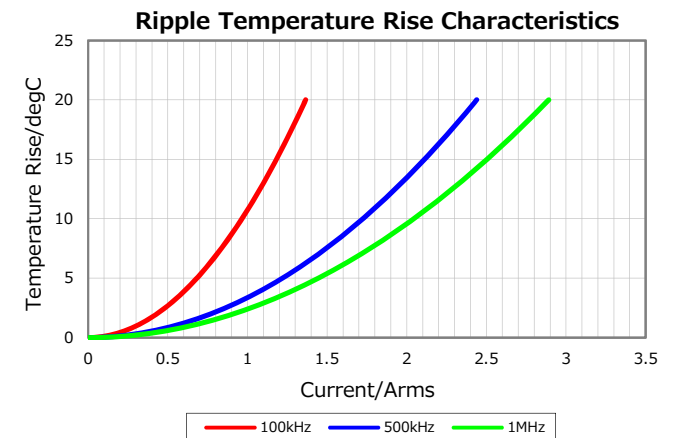
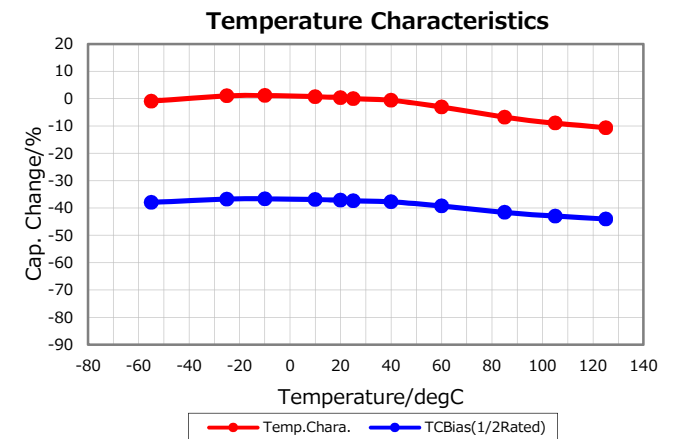
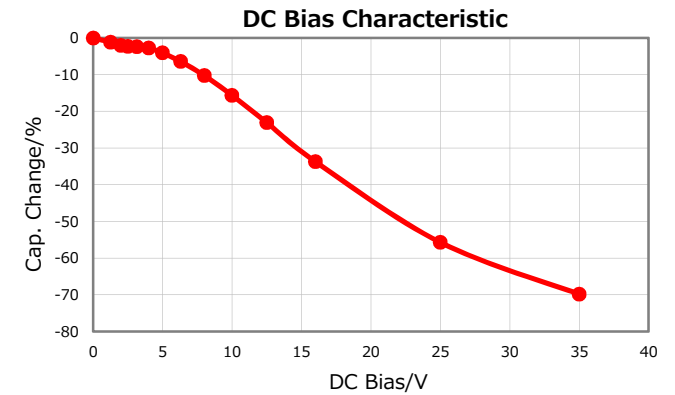
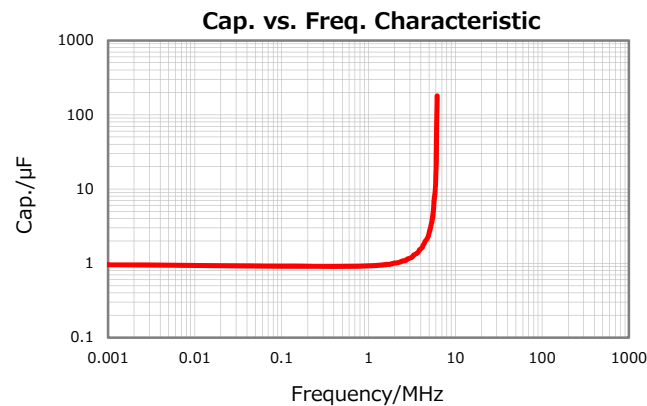
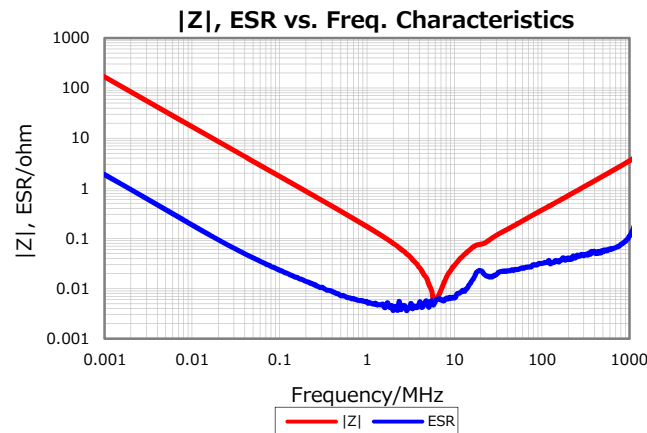
5 % max.

## Insulation Resistance

500 Mohm min.

## AEC-Q200

Yes



Characterization Sheet (Multilayer Ceramic Chip Capacitors)



All specifications are subject to change without notice.

January 13, 2020