

# CGA4J3X7R1V684K125AB

TDK item description : CGA4J3X7R1V684KT\*\*\*\*



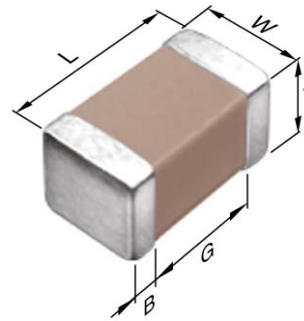
Equivalent C2012X7R1V684K for Automotive

## Application & Main Feature

Automotive grade (General type)

## Series

CGA4(2012) [EIA 0805]



## Dimensions

L	2.00±0.20 mm
W	1.25±0.20 mm
T	1.25±0.20 mm
B	0.20 mm min.
G	0.50 mm min.

## Temperature Characteristic

X7R (-55 to +125 degC, ±15%)

## Rated Voltage

1V (35Vdc)

## Capacitance

680nF

## Capacitance Tolerance

K (±10%)

## Dissipation Factor

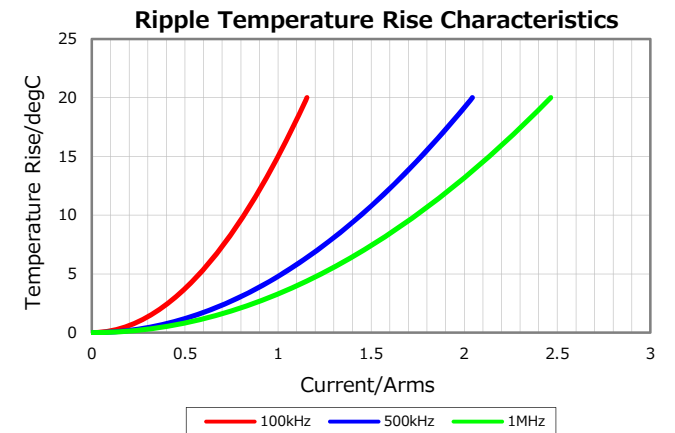
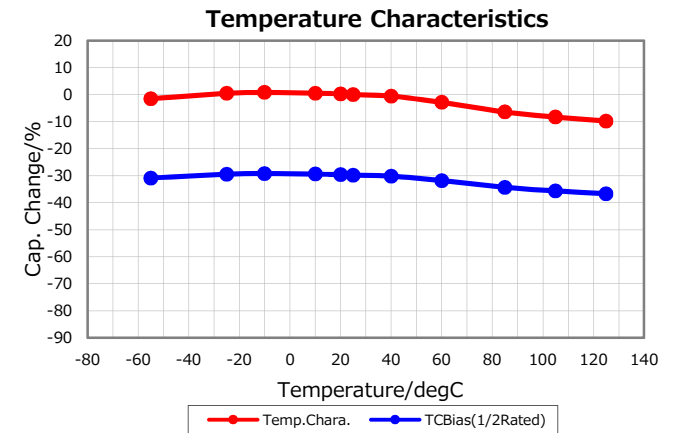
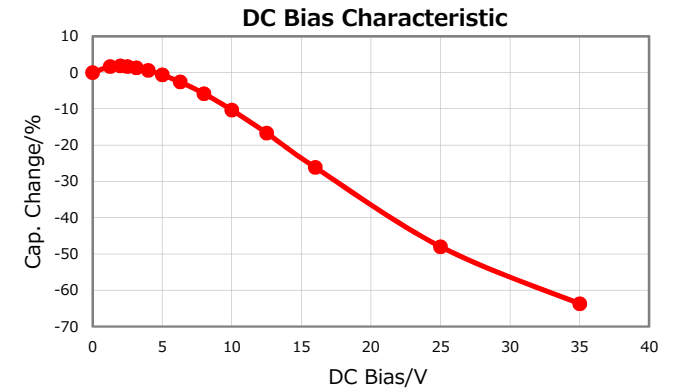
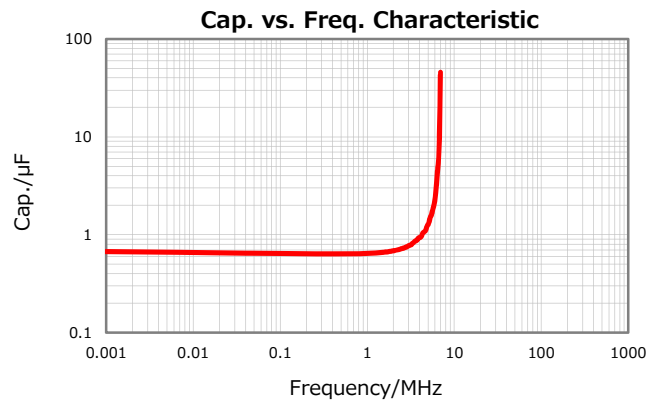
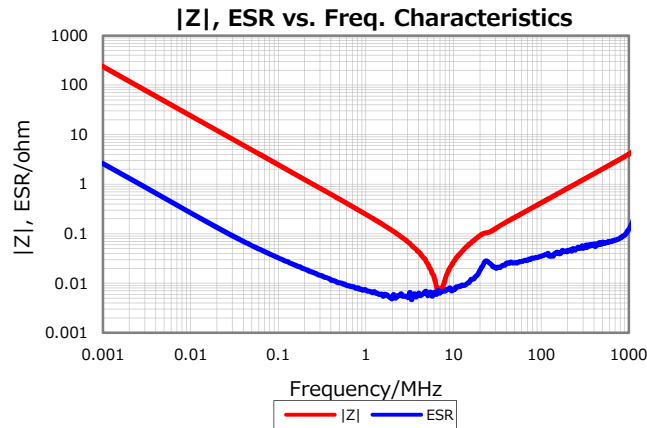
5 % max.

## Insulation Resistance

735 Mohm min.

## AEC-Q200

Yes



Characterization Sheet ( Multilayer Ceramic Chip Capacitors )



All specifications are subject to change without notice.

January 12, 2020