

CGA4J3X8L1E155K125AB

TDK item description : CGA4J3X8L1E155KT****



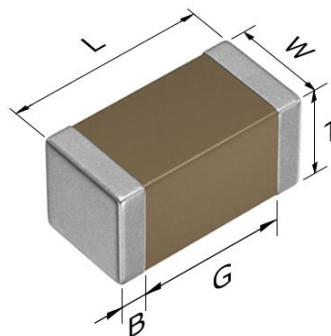
Equivalent C2012X8L1E155K for Automotive

Application & Main Feature

Automotive grade (General type)

Series

CGA4(2012) [EIA 0805]



Dimensions

L 2.00±0.20 mm
 W 1.25±0.20 mm
 T 1.25±0.20 mm
 B 0.20 mm min.
 G 0.50 mm min.

Temperature Characteristic

X8L (-55 to +150 degC, +15/-40%)

Rated Voltage

1E (25Vdc)

Capacitance

1.5µF

Capacitance Tolerance

K (±10%)

DF

5 % max.

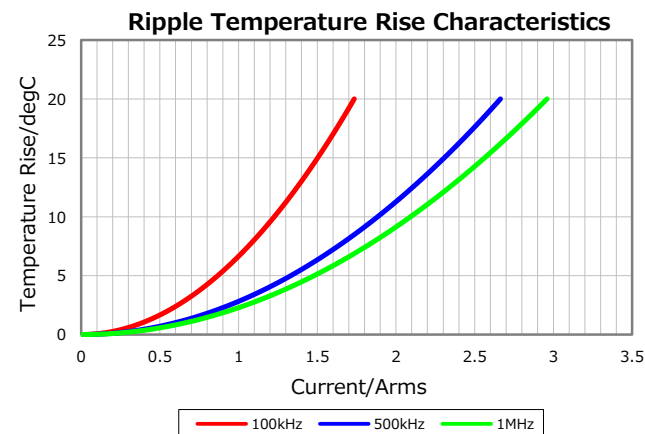
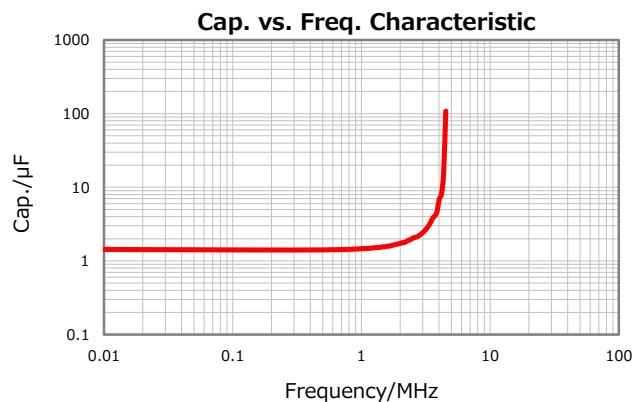
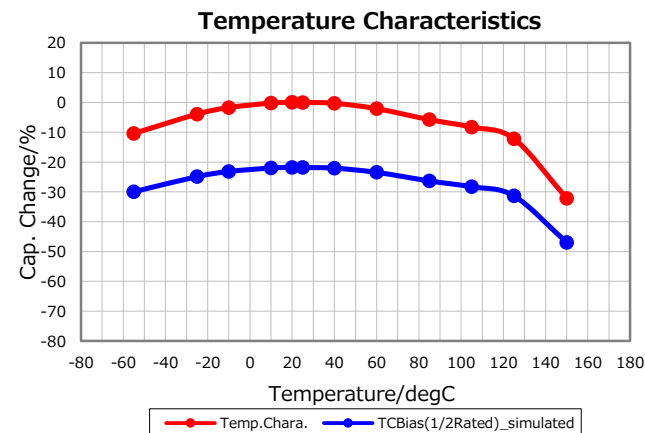
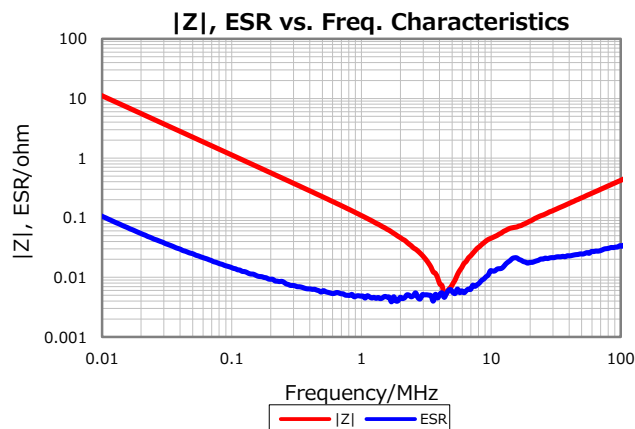
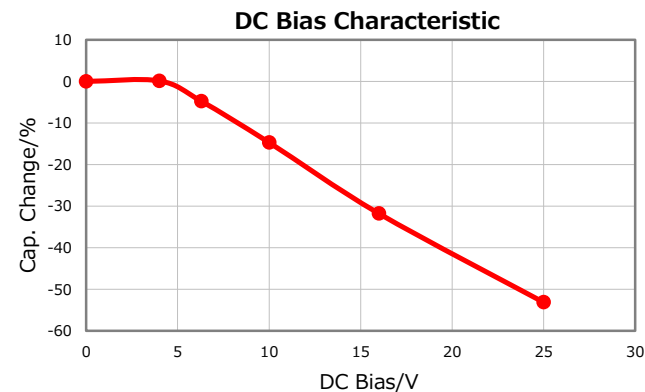
Insulation Resistance

333 Mohm min.

AEC-Q200

Yes

Characterization Sheet (Multilayer Ceramic Chip Capacitors)



⚠ All specifications are subject to change without notice.

January 4, 2021