

CGA5L1X7R1V475K160AE

TDK item description : CGA5L1X7R1V475KT***S



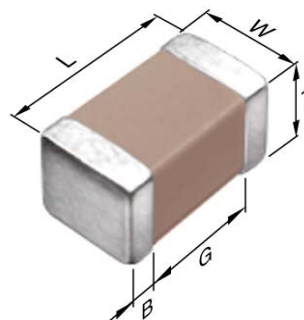
Equivalent C3216X7R1V475K for Automotive

Application & Main Feature

Automotive grade (Soft termination)

Series

CGA5(3216) [EIA 1206]



Dimensions

L	3.20+0.40/-0.20 mm
W	1.60+0.30/-0.20 mm
T	1.60+0.30/-0.20 mm
B	0.20 mm min.
G	1.00 mm min.

Temperature Characteristic

X7R (-55 to +125 degC, ±15%)

Rated Voltage

1V (35Vdc)

Capacitance

4.7µF

Capacitance Tolerance

K (±10%)

Dissipation Factor

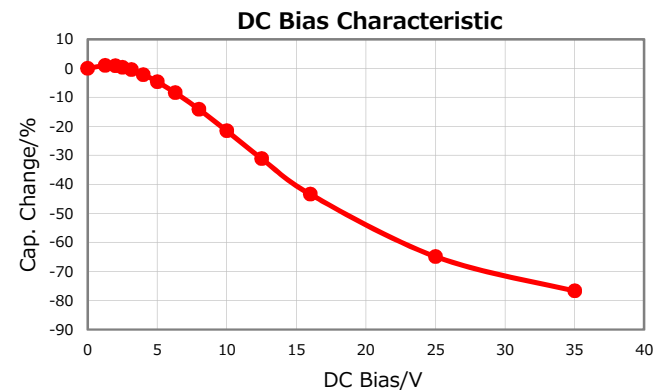
5 % max.

Insulation Resistance

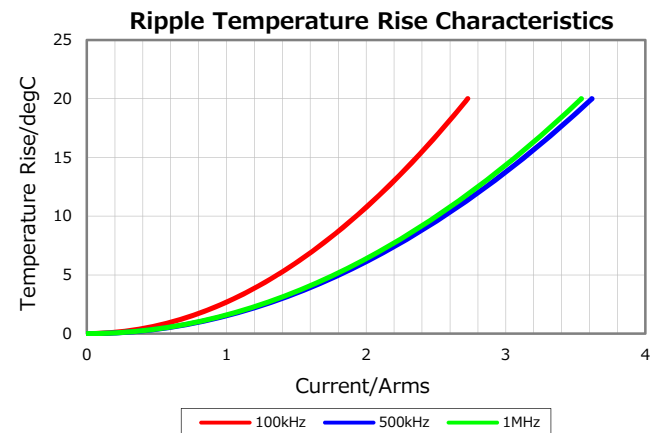
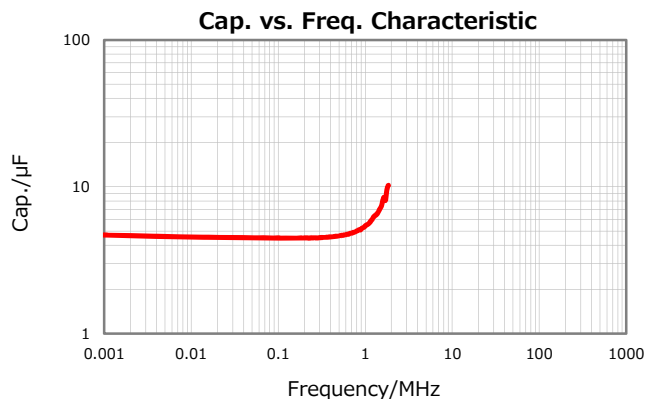
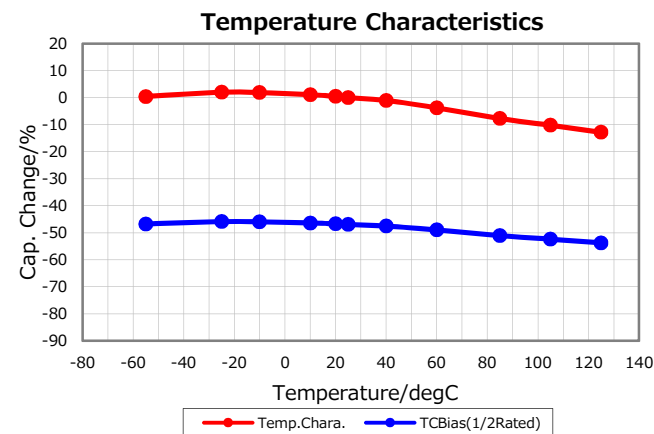
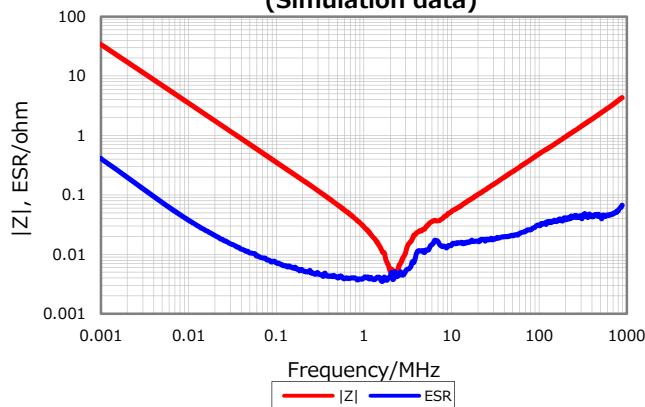
106 Mohm min.

AEC-Q200

Yes



|Z|, ESR vs. Freq. Characteristics (Simulation data)



Characterization Sheet (Multilayer Ceramic Chip Capacitors)



All specifications are subject to change without notice.

January 20, 2020