

# CGA5L1X8L0G156M160AC

TDK Item Description : CGA5L1X8L0G156MT\*\*\*\*



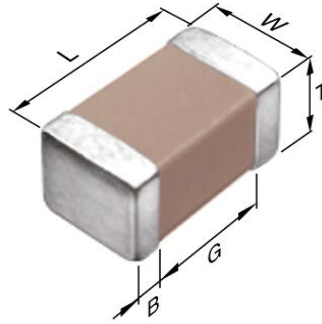
Equivalent C3216X8L0G156M for Automotive

## Application & Main Feature

Automotive Grade ( High Temperature Application )

## Series

CGA5(3216) [EIA 1206]



## Dimensions

L	3.20mm +0.3,-0.1mm
W	1.60mm +0.3,-0.1mm
T	1.60mm +0.3,-0.1mm
B	0.20mm Min.
G	1.00mm Min.

## Temperature Characteristic

X8L (-55 to 150 degC +15,-40%)

## Rated Voltage

0G(4Vdc)

## Capacitance

15uF

## Capacitance Tolerance

M (±20%)

## Dissipation Factor

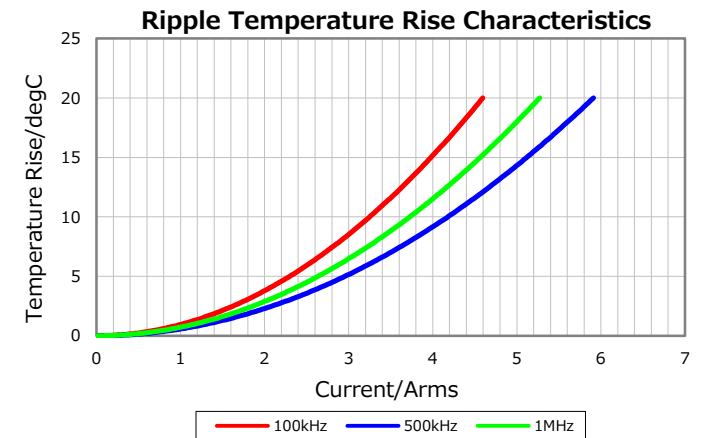
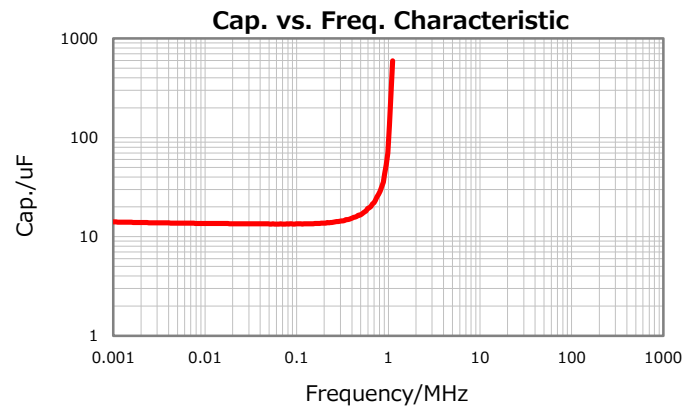
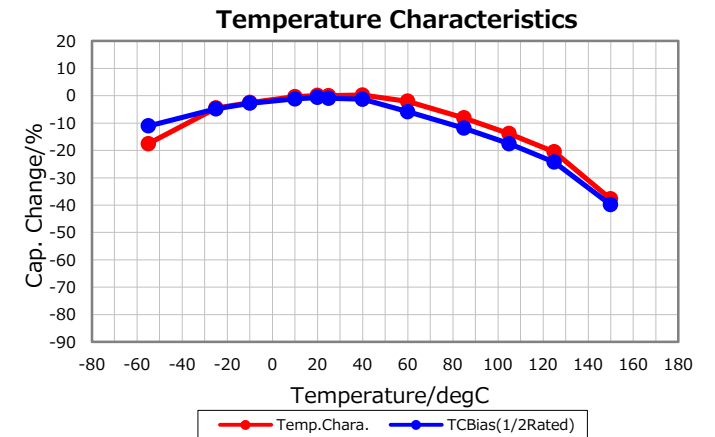
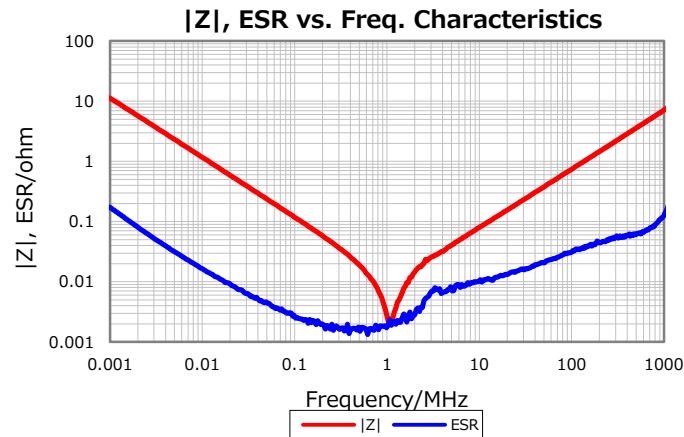
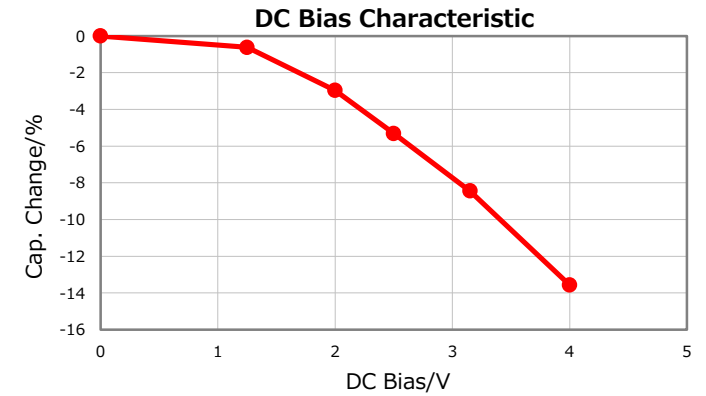
7.5% Max.

## Insulation Resistance

6Mohm Min.

## AEC-Q200

Yes



Characterization Sheet ( Multilayer Ceramic Chip Capacitors )



All specifications are subject to change without notice.

October 24, 2018