

# CGA5L3X7R1H225K160AE

TDK item description : CGA5L3X7R1H225KT\*\*\*S



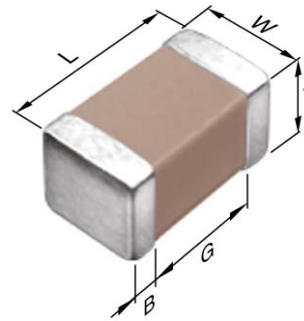
Equivalent C3216X7R1H225K for Automotive

## Application & Main Feature

Automotive grade (Soft termination)

## Series

CGA5(3216) [EIA 1206]



## Dimensions

L	3.20+0.40/-0.20 mm
W	1.60+0.30/-0.20 mm
T	1.60+0.30/-0.20 mm
B	0.20 mm min.
G	1.00 mm min.

## Temperature Characteristic

X7R (-55 to +125 degC, ±15%)

## Rated Voltage

1H (50Vdc)

## Capacitance

2.2µF

## Capacitance Tolerance

K (±10%)

## Dissipation Factor

5 % max.

## Insulation Resistance

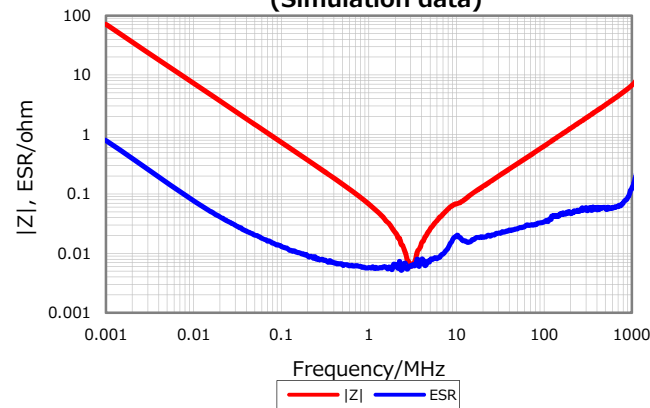
227 Mohm min.

## AEC-Q200

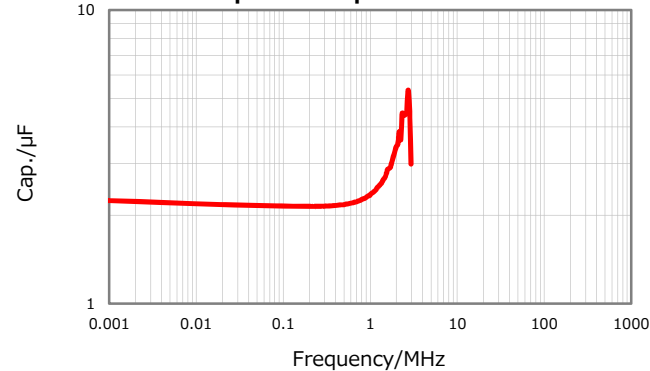
Yes

Characterization Sheet ( Multilayer Ceramic Chip Capacitors )

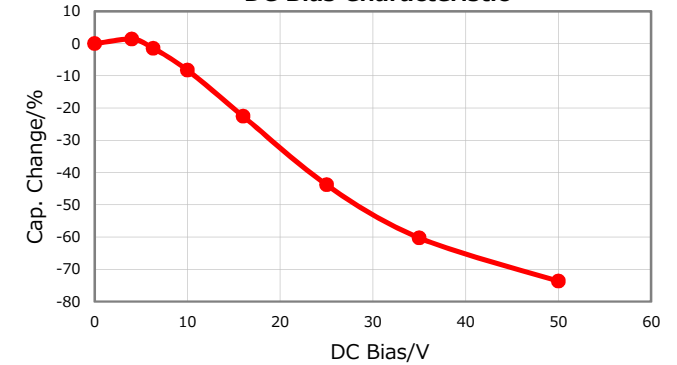
**|Z|, ESR vs. Freq. Characteristics  
(Simulation data)**



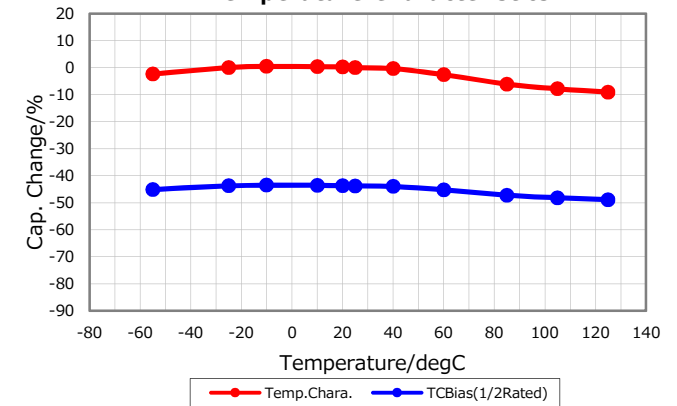
**Cap. vs. Freq. Characteristic**



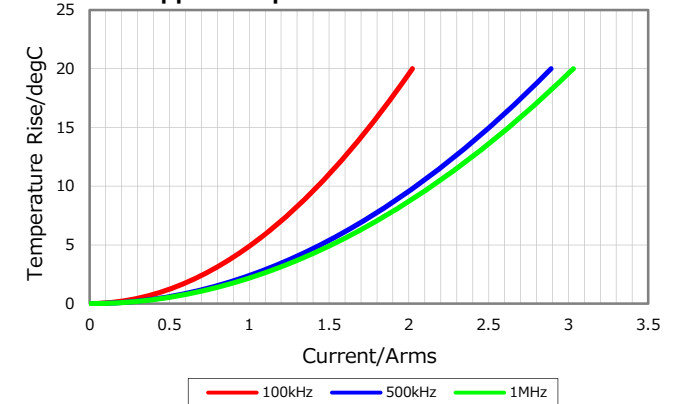
**DC Bias Characteristic**



**Temperature Characteristics**



**Ripple Temperature Rise Characteristics**



All specifications are subject to change without notice.

January 17, 2020