

CGA5L3X7R2E473K160AE

TDK Item Description : CGA5L3X7R2E473KT***S



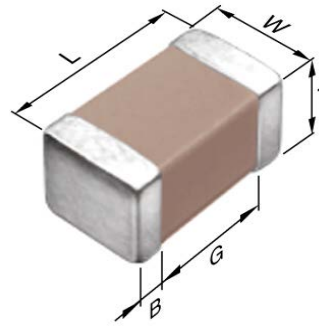
Equivalent C3216X7R2E473K for Automotive

Application & Main Feature

Automotive Grade (Soft Termination)

Series

CGA5(3216) [EIA CC1206]



Dimensions

| | |
|---|--------------------|
| L | 3.20mm +0.4,-0.2mm |
| W | 1.60mm +0.3,-0.2mm |
| T | 1.60mm +0.3,-0.2mm |
| B | 0.20mm Min. |
| G | 1.00mm Min. |

Temperature Characteristic

X7R (-55 to 125 degC +/-15%)

Rated Voltage

2E (250Vdc)

Capacitance

47nF

Capacitance Tolerance

K (+/-10%)

Dissipation Factor

3% Max.

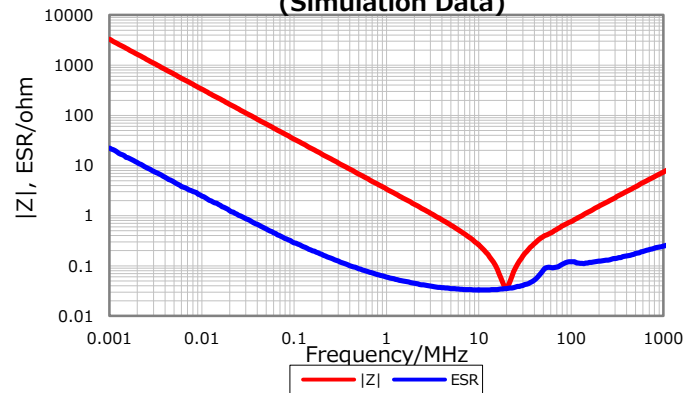
Insulation Resistance

10Gohm Min

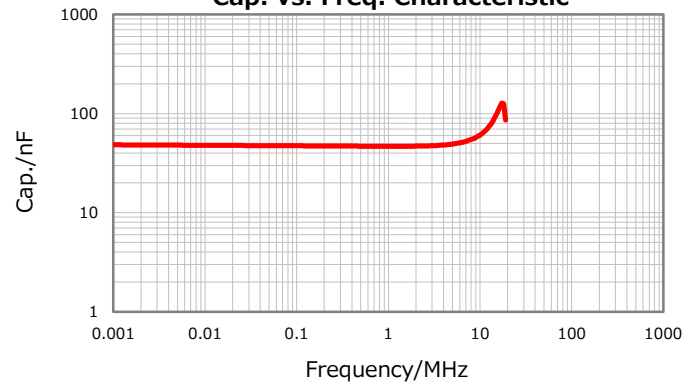
AEC-Q200

Yes

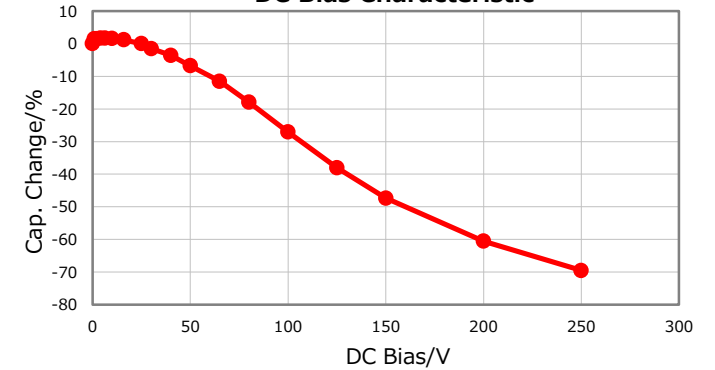
|Z|, ESR vs. Freq. Characteristics (Simulation Data)



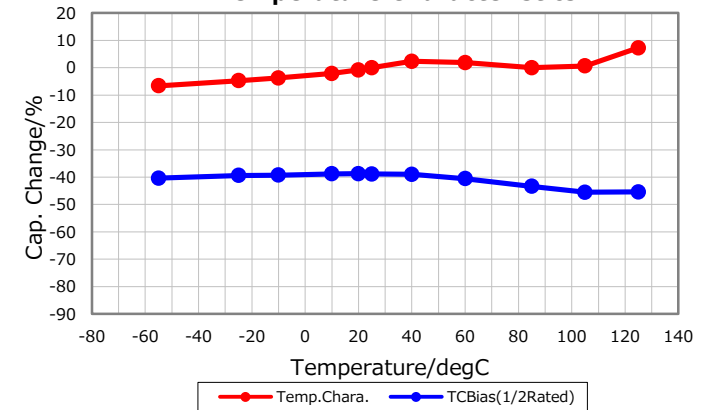
Cap. vs. Freq. Characteristic



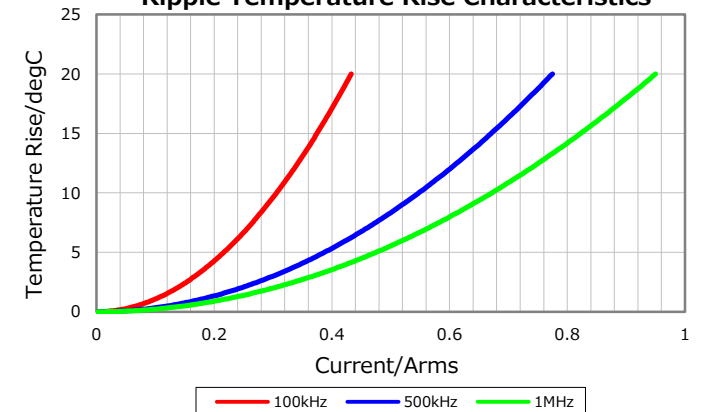
DC Bias Characteristic



Temperature Characteristics



Ripple Temperature Rise Characteristics



Characterization Sheet (Multilayer Ceramic Chip Capacitors)



All specifications are subject to change without notice.

March 17, 2017