

# CGA5L3X8R1C335K160AE

TDK Item Description : CGA5L3X8R1C335KT\*\*\*S



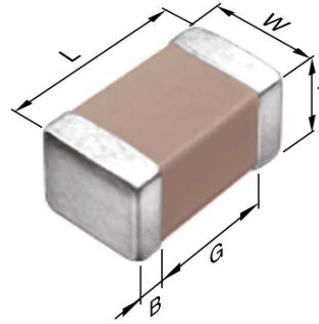
Equivalent C3216X8R1C335K for Automotive

## Application & Main Feature

Automotive Grade ( Soft Termination )

## Series

CGA5(3216) [EIA 1206]



## Dimensions

L	3.20mm +0.4,-0.2mm
W	1.60mm +0.3,-0.2mm
T	1.60mm +0.3,-0.2mm
B	0.20mm Min.
G	1.00mm Min.

## Temperature Characteristic

X8R (-55 to 150 degC ±15%)

## Rated Voltage

1C (16Vdc)

## Capacitance

3.3uF

## Capacitance Tolerance

K (+/-10%)

## Dissipation Factor

5% Max.

## Insulation Resistance

30Mohm Min.

## AEC-Q200

Yes

