

CGA5L3X8R1H105K160AE

TDK Item Description : CGA5L3X8R1H105KT***S



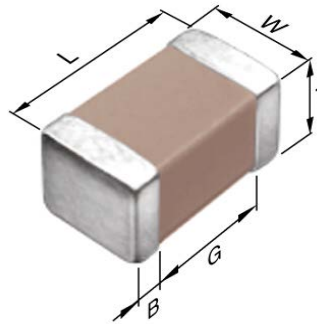
Equivalent C3216X8R1H105K for Automotive

Application & Main Feature

Automotive Grade (Soft Termination)

Series

CGA5(3216) [EIA CC1206]



Dimensions

L	3.20mm +0.4,-0.2mm
W	1.60mm +0.3,-0.2mm
T	1.60mm +0.3,-0.2mm
B	0.20mm Min.
G	1.00mm Min.

Temperature Characteristic

X8R (-55 to 150 degC +/-15%)

Rated Voltage

1H (50Vdc)

Capacitance

1uF

Capacitance Tolerance

K (+/-10%)

Dissipation Factor

3% Max.

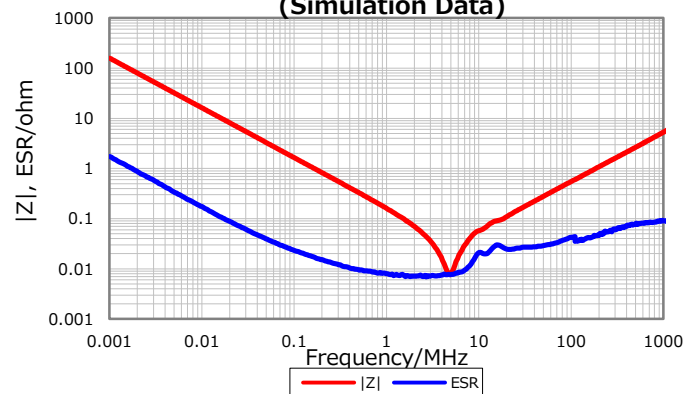
Insulation Resistance

500Mohm Min.

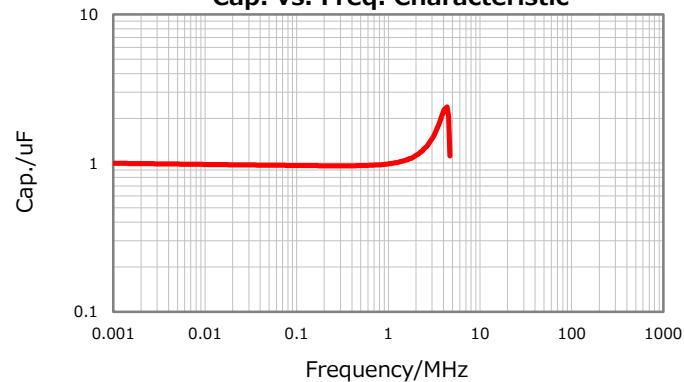
AEC-Q200

Yes

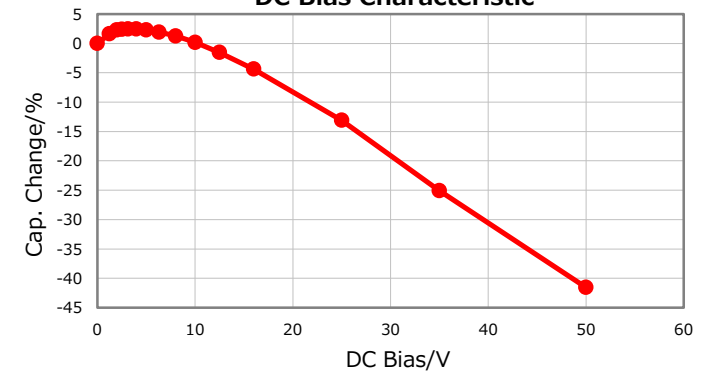
|Z|, ESR vs. Freq. Characteristics (Simulation Data)



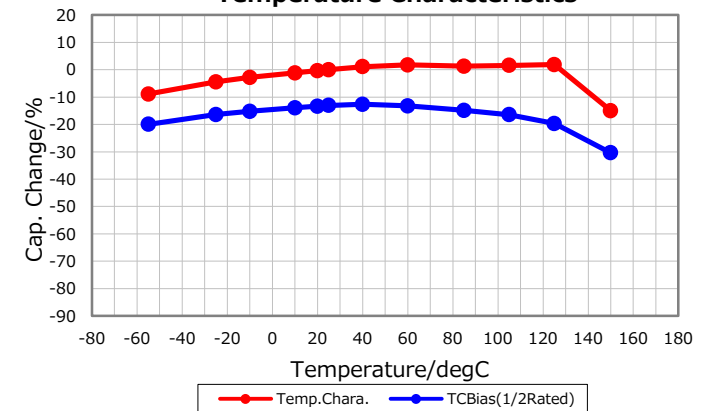
Cap. vs. Freq. Characteristic



DC Bias Characteristic



Temperature Characteristics



Ripple Temperature Rise Characteristics

