

# CGA5L4NP02J822J160AA

TDK Item Description : CGA5L4NP02J822JT\*\*\*\*



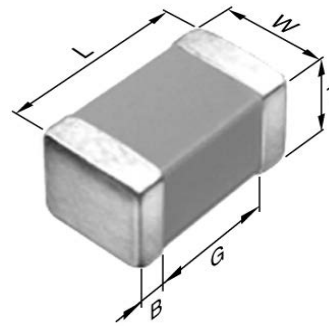
Equivalent C3216NP02J822J for Automotive

## Application & Main Feature

Automotive Grade ( High Temperature Application )

## Series

CGA5(3216) [EIA 1206]



## Dimensions

L	3.20mm ±0.20mm
W	1.60mm ±0.20mm
T	1.60mm ±0.20mm
B	0.20mm Min.
G	1.00mm Min.

## Temperature Characteristic

NP0 (-55 to 150 degC 0+/-30ppm/degC)

## Rated Voltage

2J(630Vdc)

## Capacitance

8.2nF

## Capacitance Tolerance

J (±5%)

## Q Factor

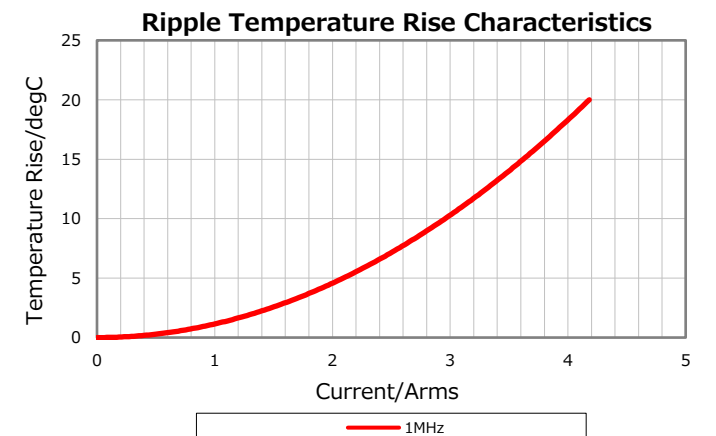
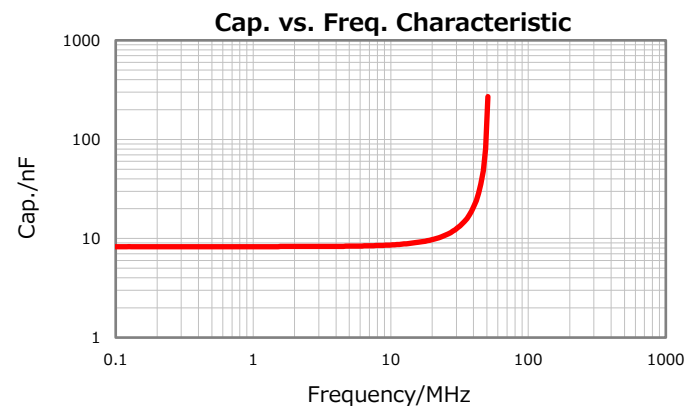
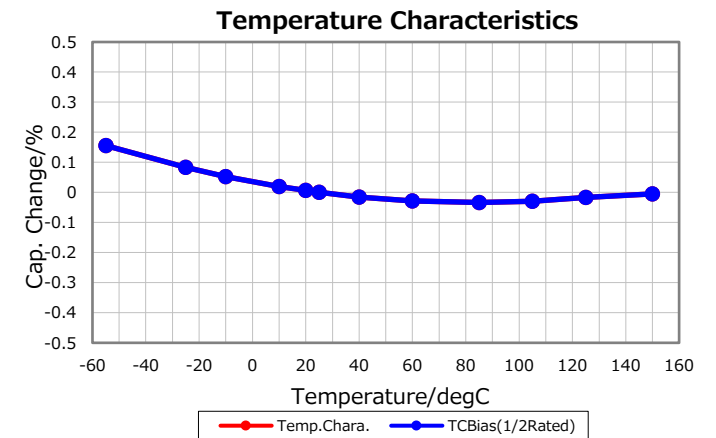
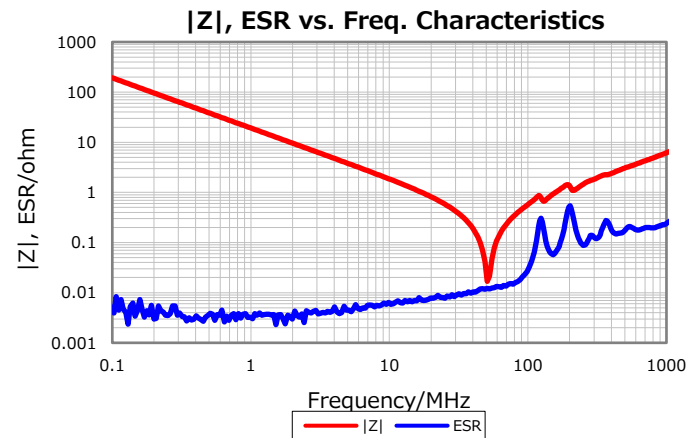
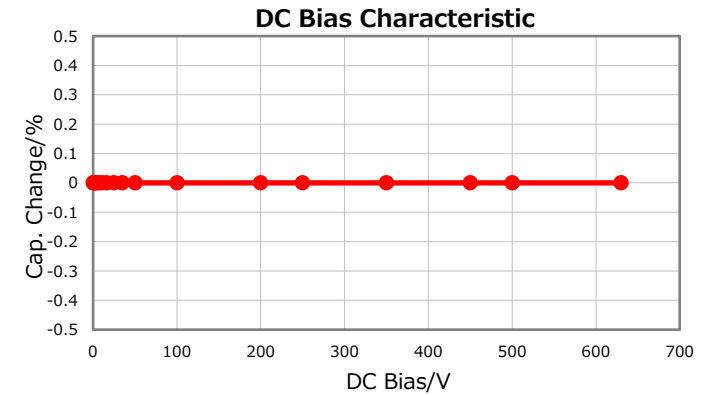
1000 Min.

## Insulation Resistance

10Gohm Min

## AEC-Q200

Yes



Characterization Sheet ( Multilayer Ceramic Chip Capacitors )



All specifications are subject to change without notice.

July 2, 2019