

CGA5L4NP02W153J160AA

TDK Item Description : CGA5L4NP02W153JT****



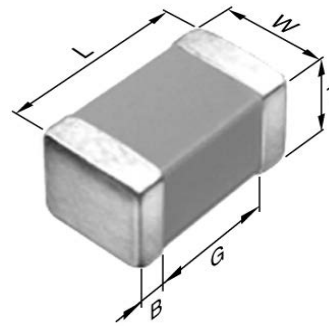
Equivalent C3216NP02W153J for Automotive

Application & Main Feature

Automotive Grade (High Temperature Application)

Series

CGA5(3216) [EIA 1206]



Dimensions

L	3.20mm +0.3,-0.1mm
W	1.60mm +0.3,-0.1mm
T	1.60mm +0.3,-0.1mm
B	0.20mm Min.
G	1.00mm Min.

Temperature Characteristic

NP0 (-55 to 150 degC 0+/-30ppm/degC)

Rated Voltage

2W(450Vdc)

Capacitance

15nF

Capacitance Tolerance

J (±5%)

Q Factor

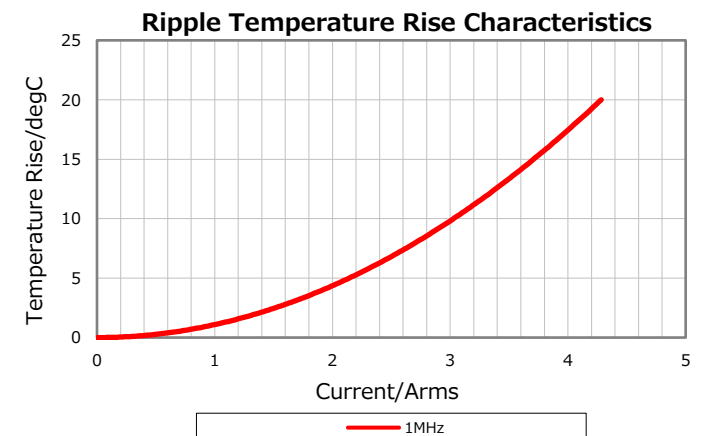
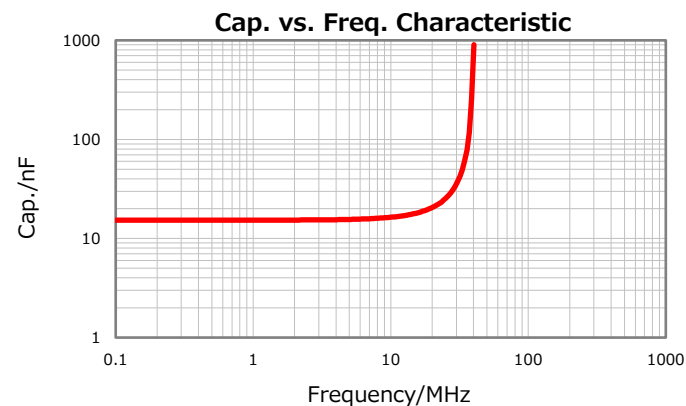
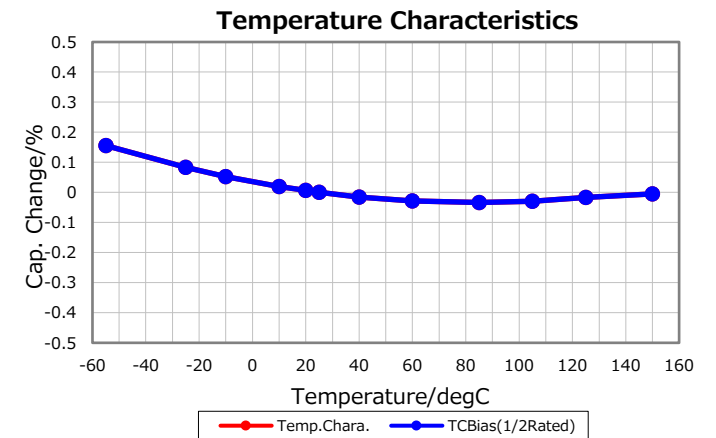
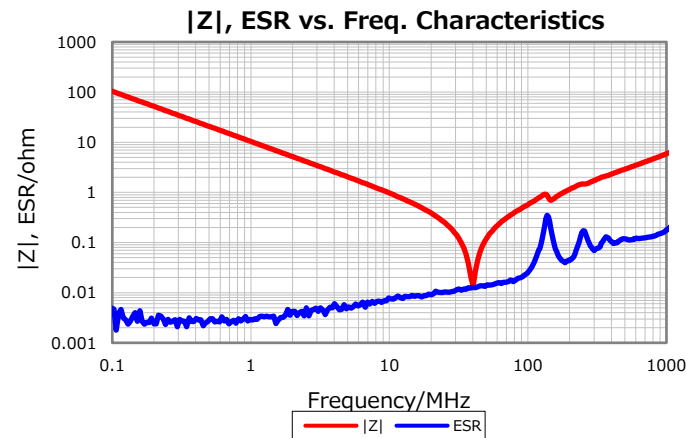
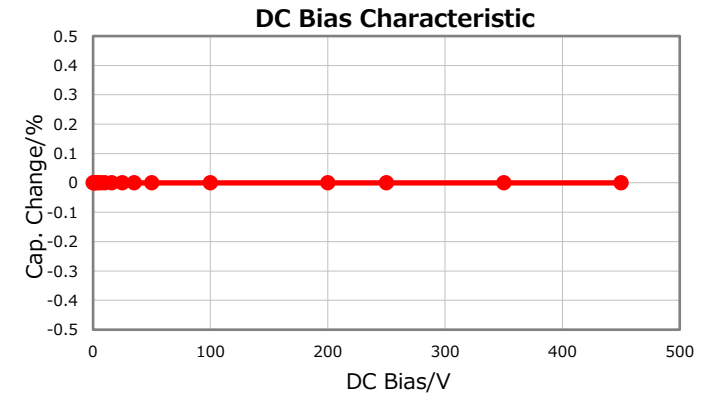
1000 Min.

Insulation Resistance

10Gohm Min

AEC-Q200

Yes



Characterization Sheet (Multilayer Ceramic Chip Capacitors)



All specifications are subject to change without notice.

July 2, 2019